

宁波恒特汽车零部件有限公司
Ningbo Hengte Automobile Parts Co.,Ltd

地址：宁波市海曙区古林镇葑水港工业区望兴路19号
Add:No.19 Wangxing Road,Fengshuigang Industrial District
Gulin Town, Haishu District,Ningbo China.

电话(Tel):0086-0574-88427838

传真(Fax):0086-0574-88428177

网址(Web):www.nb-hengte.com

邮箱(E-mail):sales@nb-hente.com chenqi@nb-hengte.com



公司简介 Brief introduction

公司成立于1998年，坐落于宁波市海曙区，是一家汽车系列电机专业制造商。主要产品：汽车电动玻璃窗升降电机、天窗电机、遮阳帘电机、汽车尾门电机、刹车泵系列电机、空调出风口电机、座椅电机、后视镜电机等。与国内各大汽车生产商建立良好、稳固的合作关系，系列产品为其提供一级或二级配套。部分产品远销欧美、东南亚等国家和地区。

公司自创立以来致力于汽车电装的研发和生产。始终秉承“科技创新、高端品质、诚实守信、精细管理”的经营理念，打造专业的研发团队，为客户提供优质产品及服务。

Established in 1998, located at Haishu District of Ningbo, Ningbo Hengte Automobile Parts Co., Ltd. is a professional manufacturer specialized in the production of automobile series motors, whose products covering power window motor, sunroof motor, sunshade curtain motor, trunk opener motor, brake pump motor, air conditioning damper actuator, power seat motor, rearview mirror motor, etc. It establishes favorable and stable cooperation relation with various large domestic automobile manufacturers, and provides grade I or grade II supporting facilities for them, with part of products exported to Europe, America, South Asia and other countries and regions.

Since its establishment, the company has always been dedicated to the R&D and production of automobile electric fitting, always adhered to the operation philosophy of "high technological innovation, high product quality, honesty and fine management", creating professional R&D team and providing excellent products and service for customers.



有汽车的地方，就有恒特
精益求精，永不停止

企业荣誉 Corporate Awarers

扎实科研，硕果累累

公司聚集了一批技术基础扎实、经验丰富的技术人才和管理人才，专业的产品开发能力，公司设有专业的产品检测实验中心，保证每个产品的出厂性能一致性。多年潜心专研，公司已通过ISO/TS16949:2009质量体系认证，先后被认定为国家高新技术企业、国家火炬项目企业，省级“高新技术研发中心”、省“专利示范企业”、“宁波市工业两创倍增发展优秀示范企业”、恒特商标被认定为“浙江省著名商标”等多项荣誉。

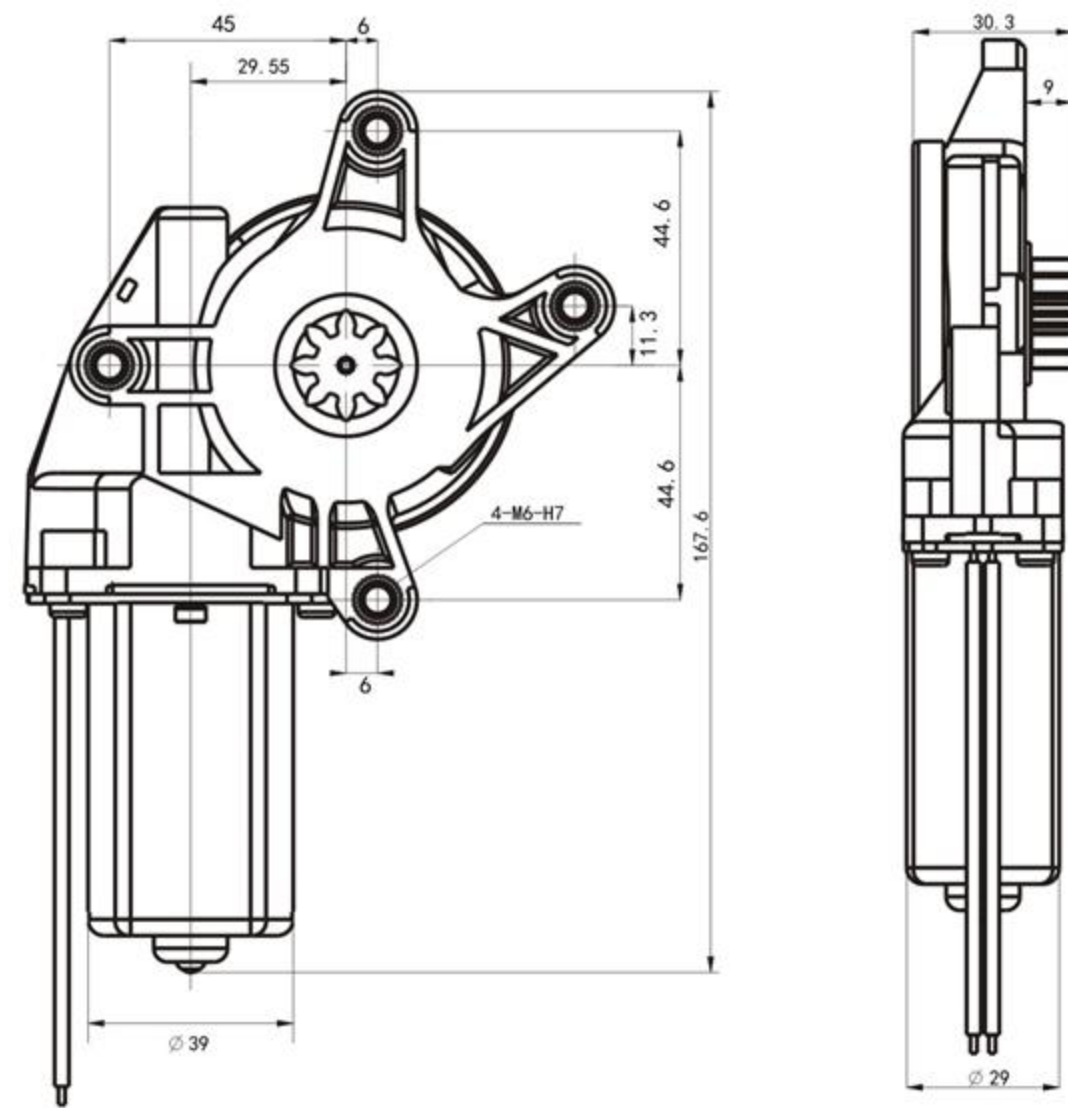
Achievements in the production research

It has a technical expert team and management team with solid technology foundation, rich experience and powerful production development strength. The company has professional test cener to promise quality of every product. Now Company has passed ISO/TS16949:2009 certificate quality system certification. It was named "National high-tech company", "National torch project company", "High-tech research and development center of Zhejiang province", "Patent advanced company of Zhejiang province", "High-development & greatest company in Ningbo" and Hengte brand is regarded as as famous brand in Zhejiang.



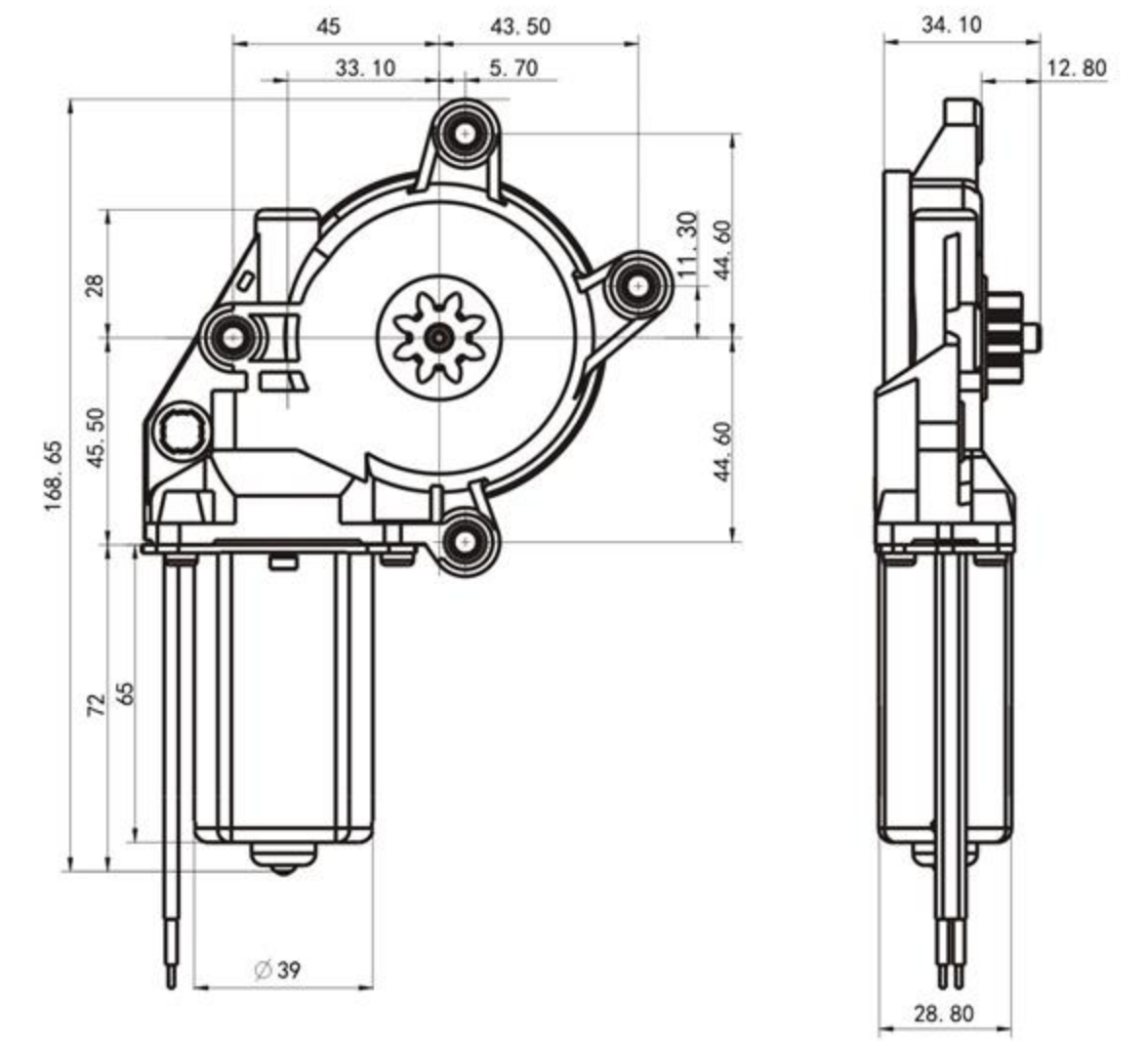
HT400 摇窗电机 Power Window Motor

外形尺寸 Appearance Shape and Size

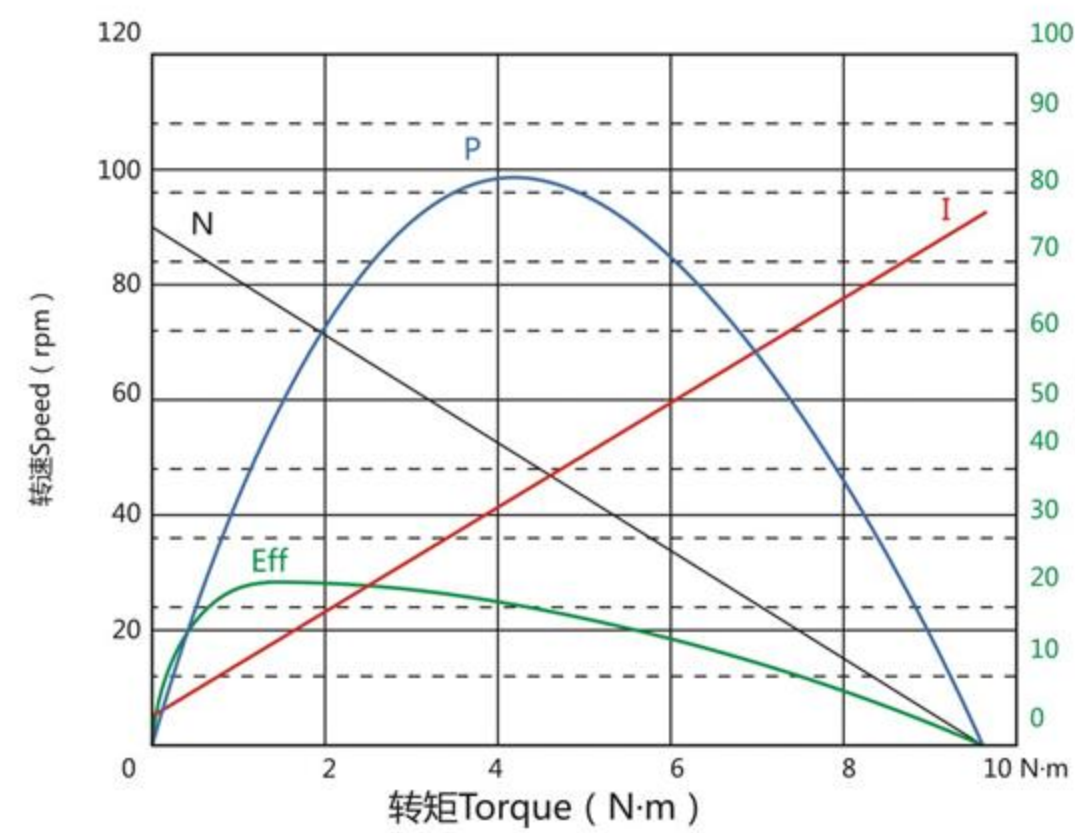


HT401 摇窗电机 Power Window Motor

外形尺寸 Appearance Shape and Size

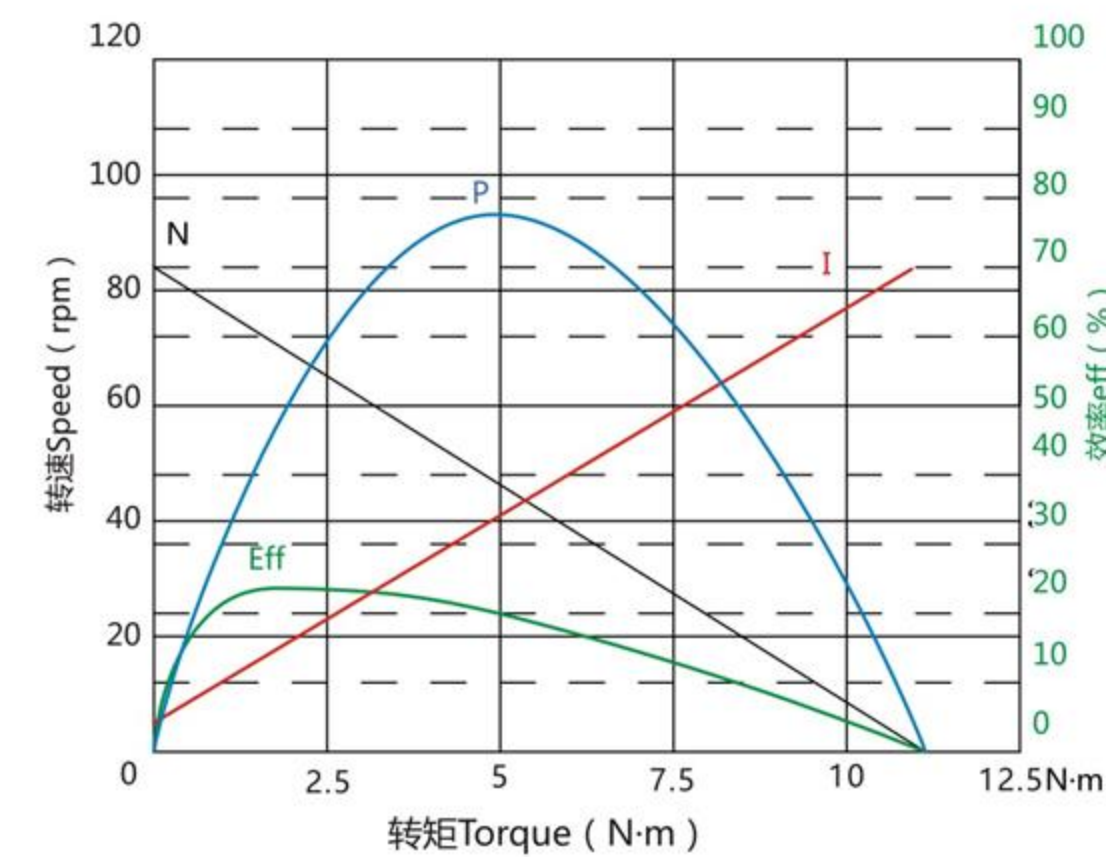


规格及技术参数 Specification and Parameter



额定工作电压	Rated Voltage	12	V
额定负载	Rated Torque	2.94	N·m
空载电流	No Load Current	<2.5	A
空载转速	No Load Speed	>79	rpm
额定电流	Rated Current	<10	A
额定转速	Rated Speed	65±15	rpm
堵转电流	Stall Current	<28	A
堵转转矩	Stall Torque	6.86-11.27	N·m
噪声	Noise	<55	dB
最大功率	Power	25	w

规格及技术参数 Specification and Parameter



额定工作电压	Rated Voltage	12	V
额定负载	Rated Torque	3.92	N·m
空载电流	No Load Current	<2.5	A
空载转速	No Load Speed	70-90	rpm
额定电流	Rated Current	<10	A
额定转速	Rated Speed	50±15	rpm
堵转电流	Stall Current	<28	A
堵转转矩	Stall Torque	8.5-13	N·m
噪声	Noise	<55	dB
最大功率	Power	30	w

可选用的输出轴形式 Out shift

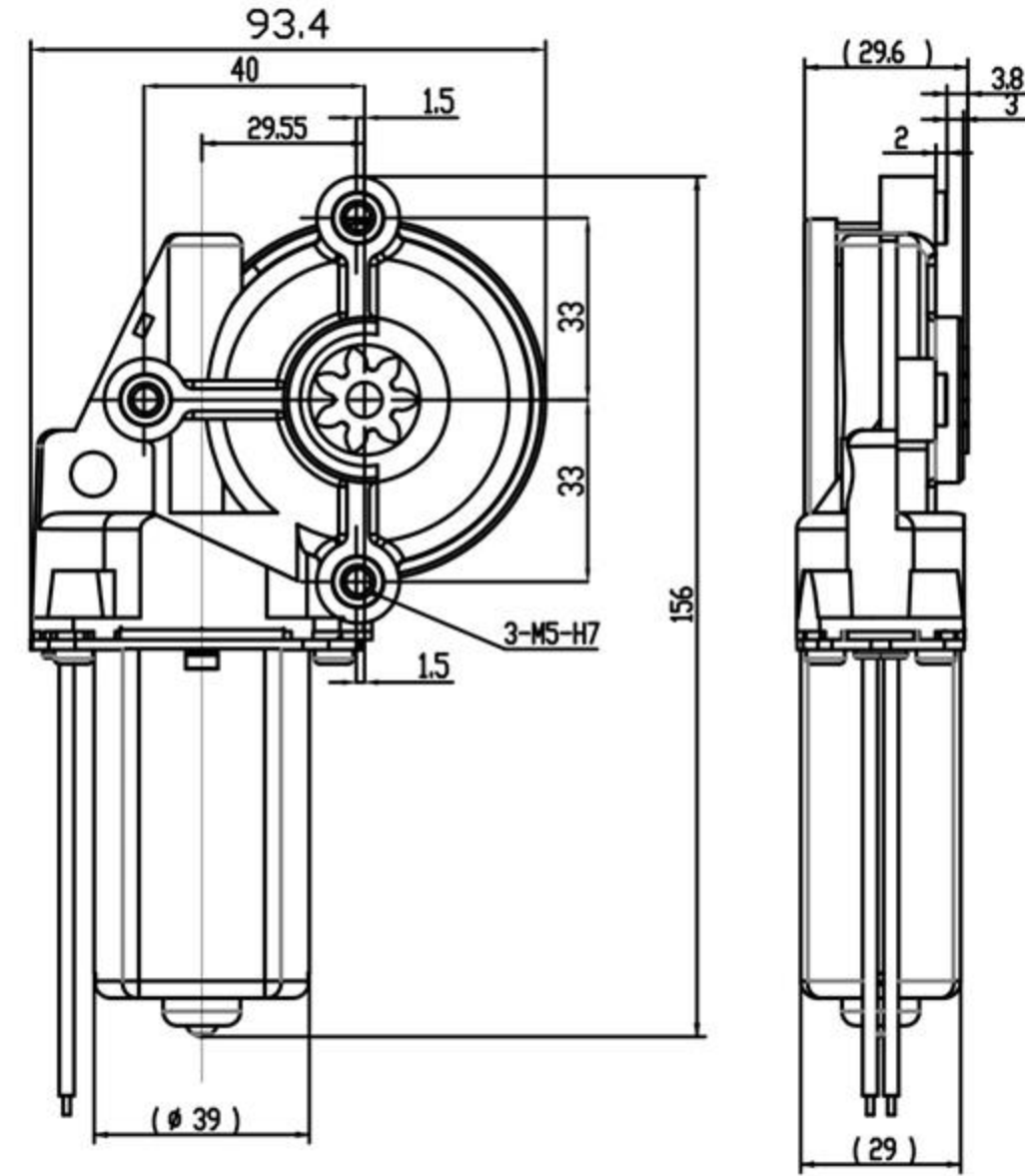


可选用的输出轴形式 Out shift

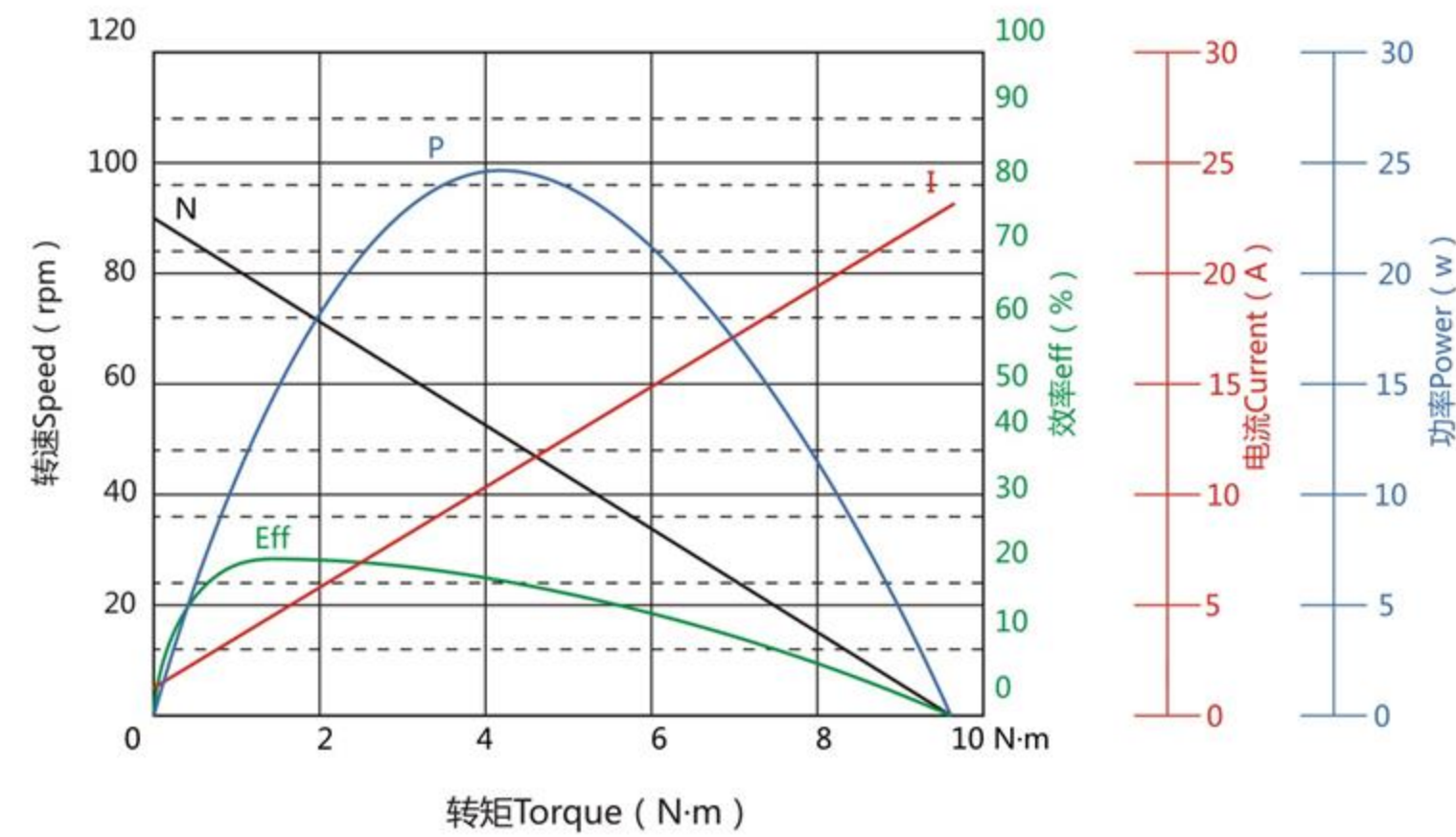


HT300 摇窗电机
Power Window Motor

外形尺寸 Appearance Shape and Size



规格及技术参数 Specification and Parameter



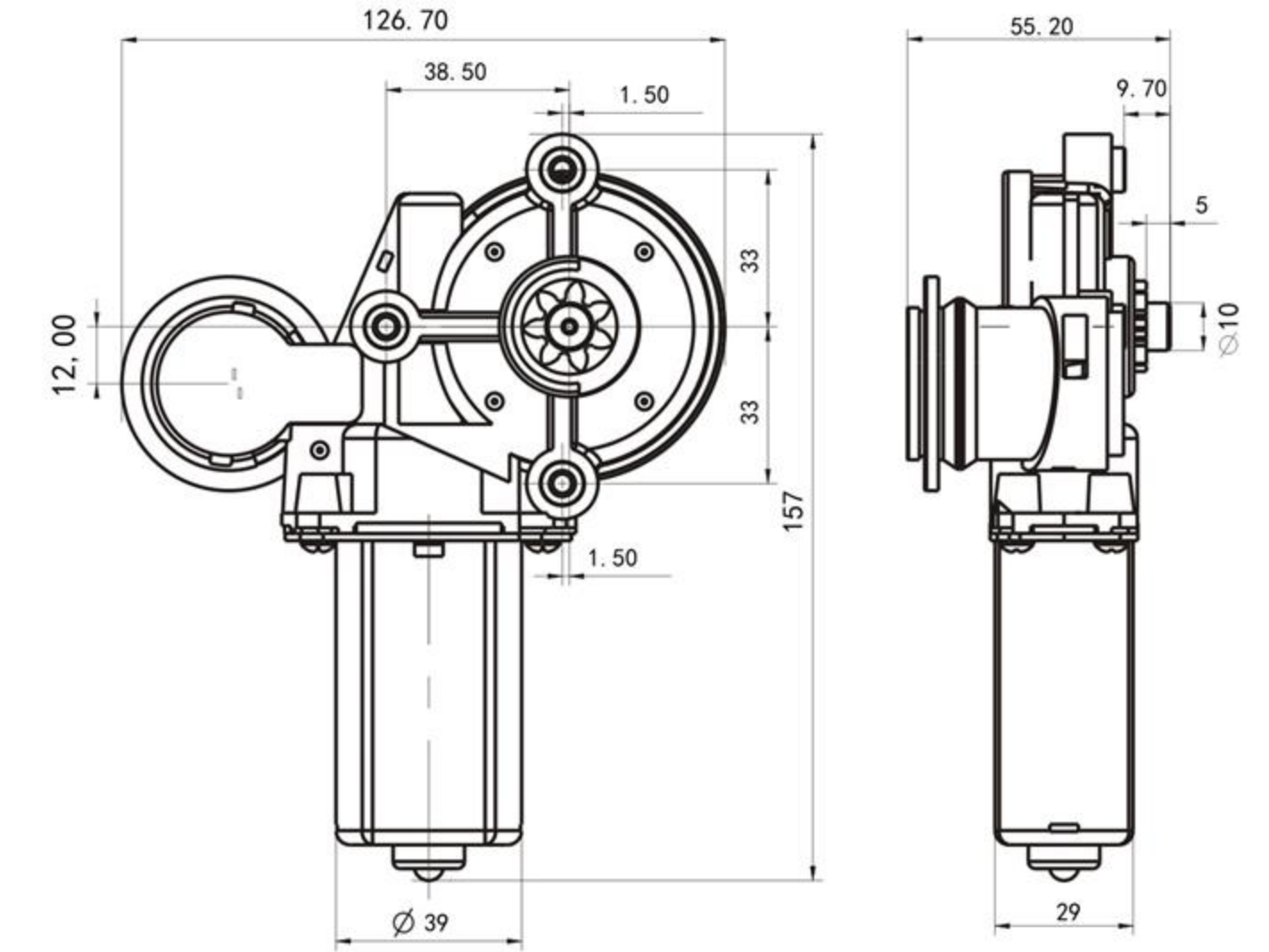
额定工作电压	Rated Voltage	12	V
额定负载	Rated Torque	2.94	N-m
空载电流	No Load Current	<2	A
空载转速	No Load Speed	>79	rpm
额定电流	Rated Current	<10	A
额定转速	Rated Speed	65±15	rpm
堵转电流	Stall Current	<28	A
堵转转矩	Stall Torque	6.86~11.27	N-m
噪声	Noise	<55	dB
最大功率	Power	25	w

可选用的输出轴形式 Out shift

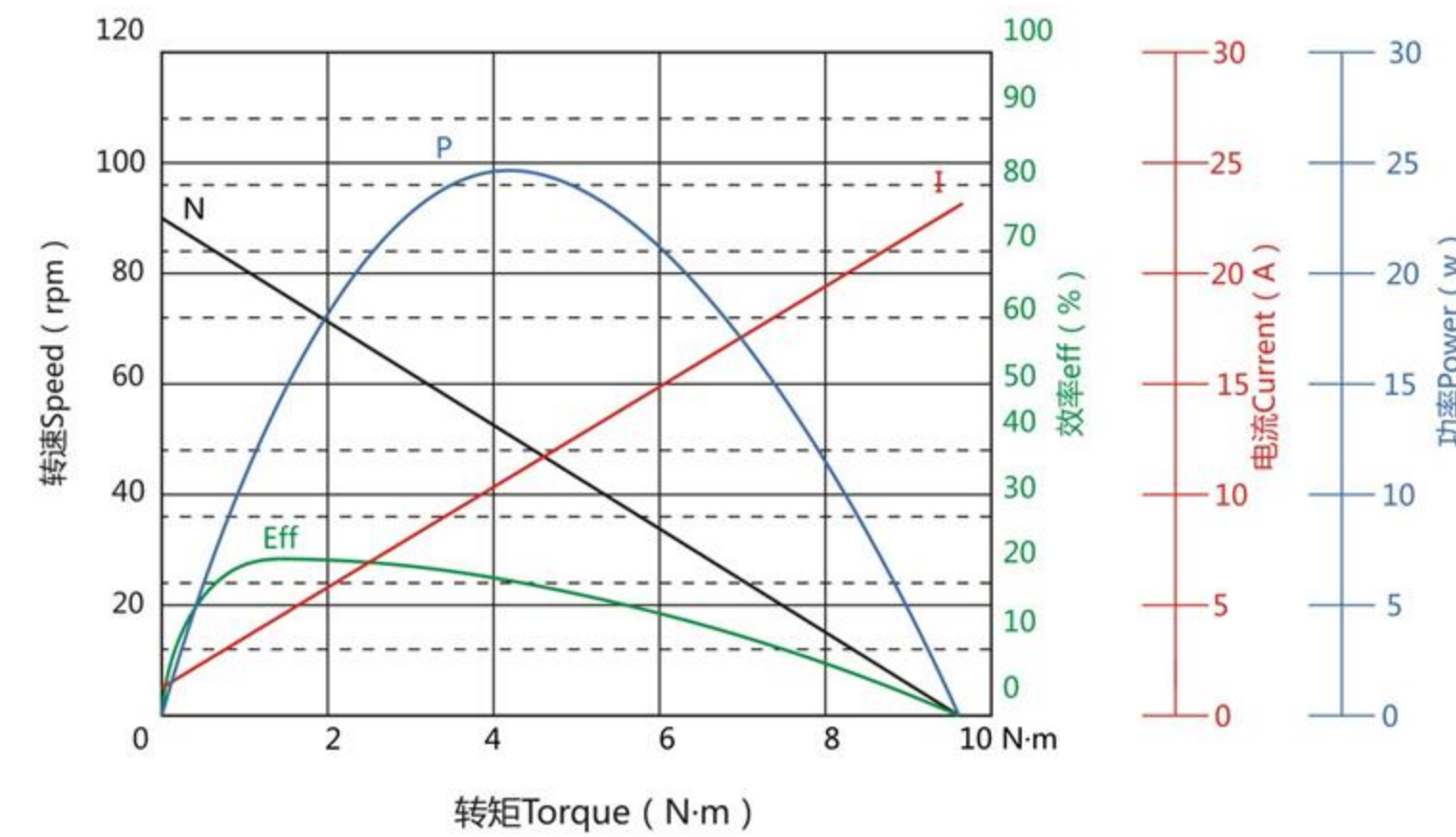


HT301 摇窗电机
Power Window Motor

外形尺寸 Appearance Shape and Size



规格及技术参数 Specification and Parameter



额定工作电压	Rated Voltage	12	V
额定负载	Rated Torque	2.94	N-m
空载电流	No Load Current	<2	A
空载转速	No Load Speed	>79	rpm
额定电流	Rated Current	<10	A
额定转速	Rated Speed	65±15	rpm
堵转电流	Stall Current	<28	A
堵转转矩	Stall Torque	6.86~11.27	N-m
噪声	Noise	<55	dB
最大功率	Power	25	w

可选用的输出轴形式 Out shift

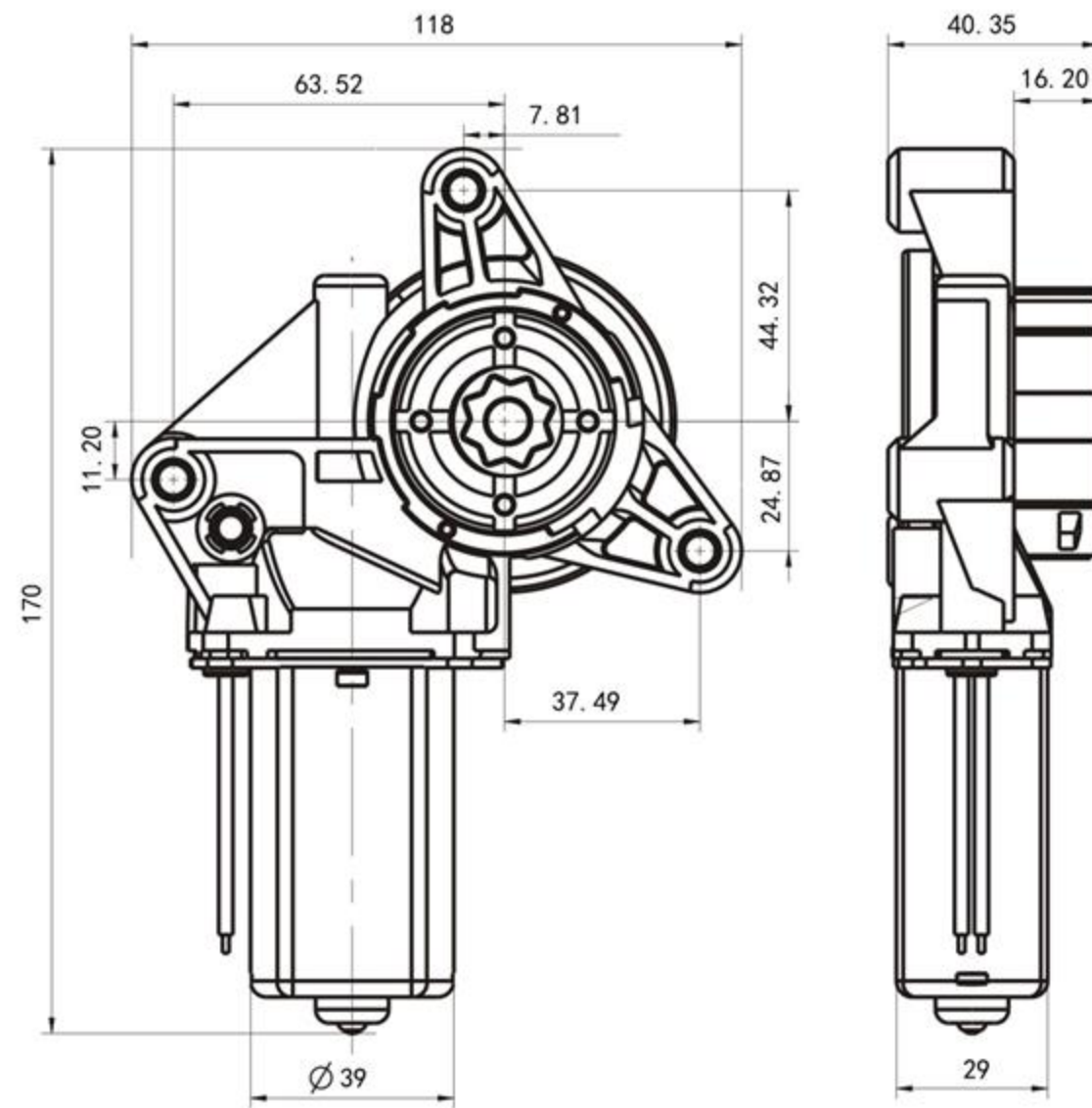




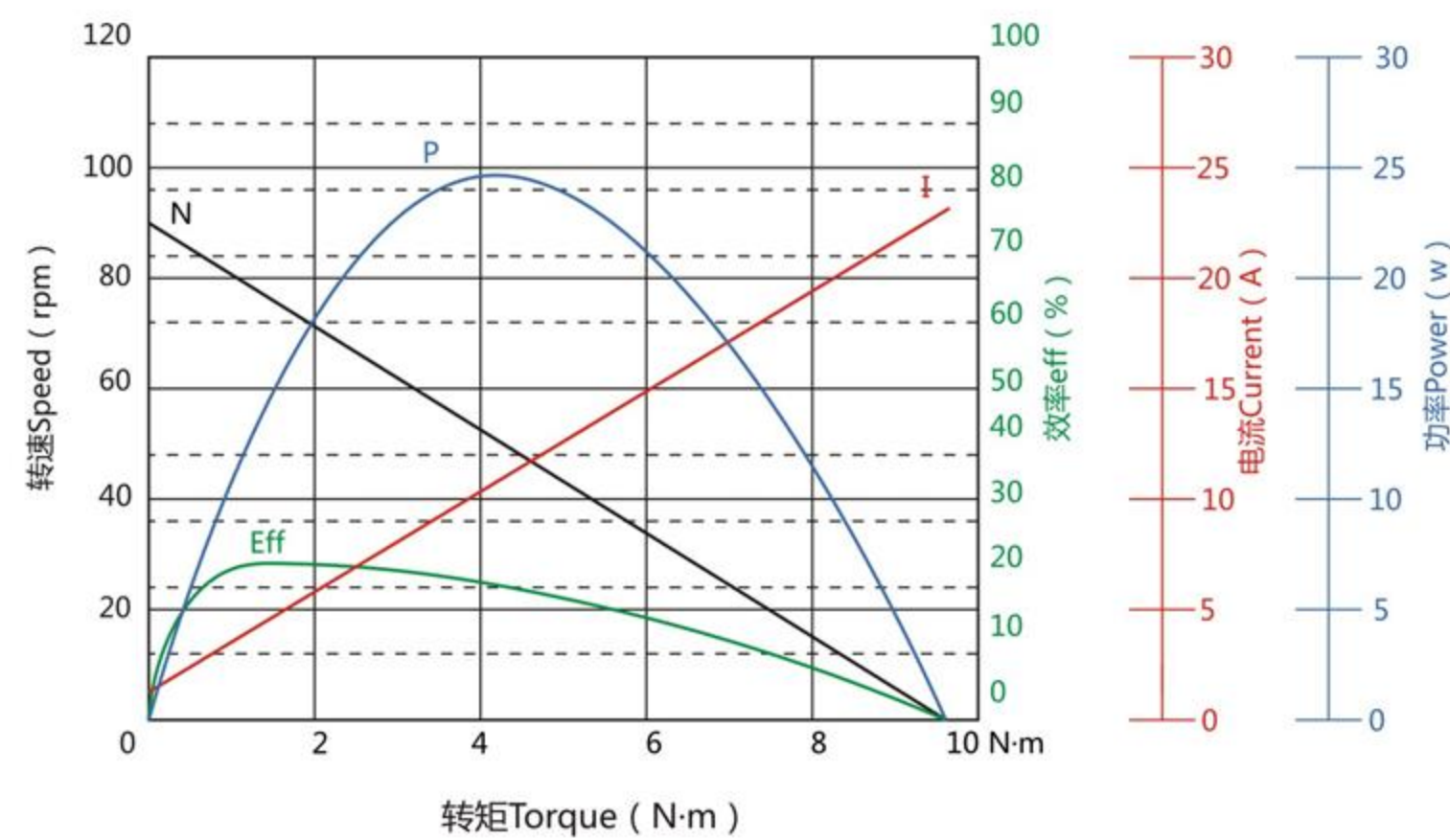
Ningbo Hengte Automobile Parts Co.,Ltd.

HT311 摇窗电机 Power Window Motor

外形尺寸 Appearance Shape and Size



规格及技术参数 Specification and Parameter



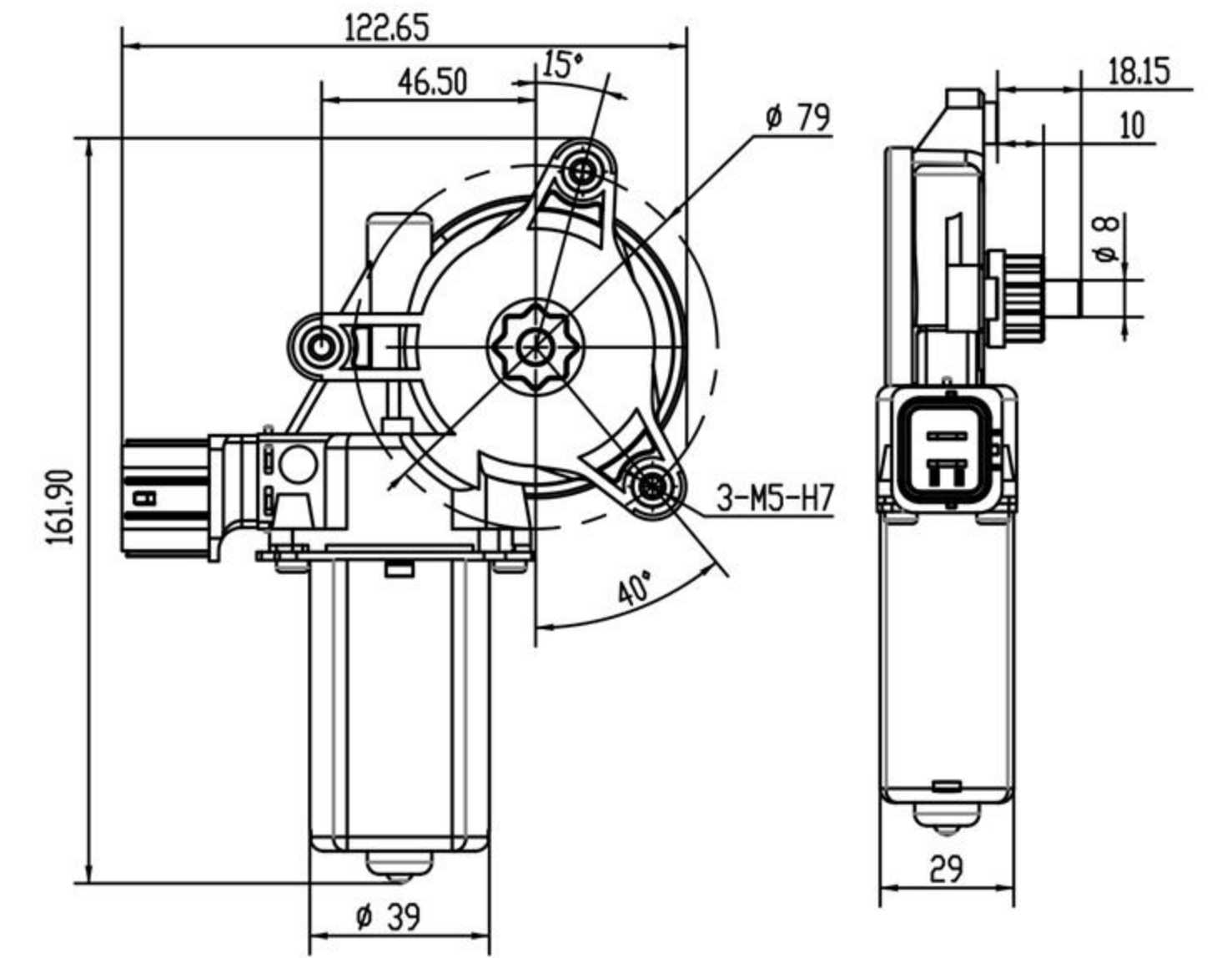
额定工作电压	Rated Voltage	12	V
额定负载	Rated Torque	2.94	N-m
空载电流	No Load Current	<2	A
空载转速	No Load Speed	>79	rpm
额定电流	Rated Current	<10	A
额定转速	Rated Speed	65±15	rpm
堵转电流	Stall Current	<28	A
堵转转矩	Stall Torque	6.86~11.27	N-m
噪声	Noise	<55	dB
最大功率	Power	25	w

可选用的输出轴形式 Out shift

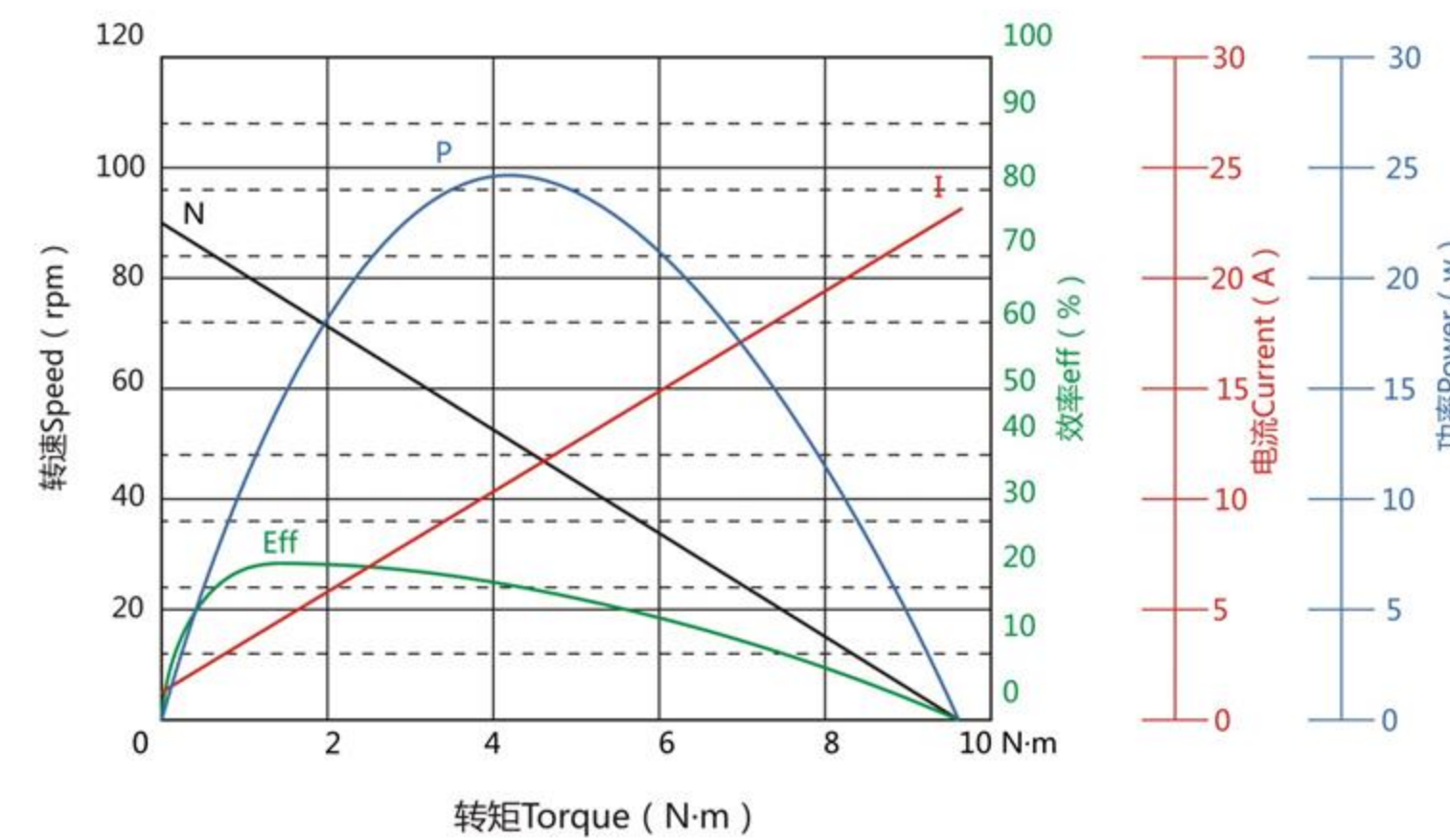


HT306 摇窗电机 Power Window Motor

外形尺寸 Appearance Shape and Size



规格及技术参数 Specification and Parameter



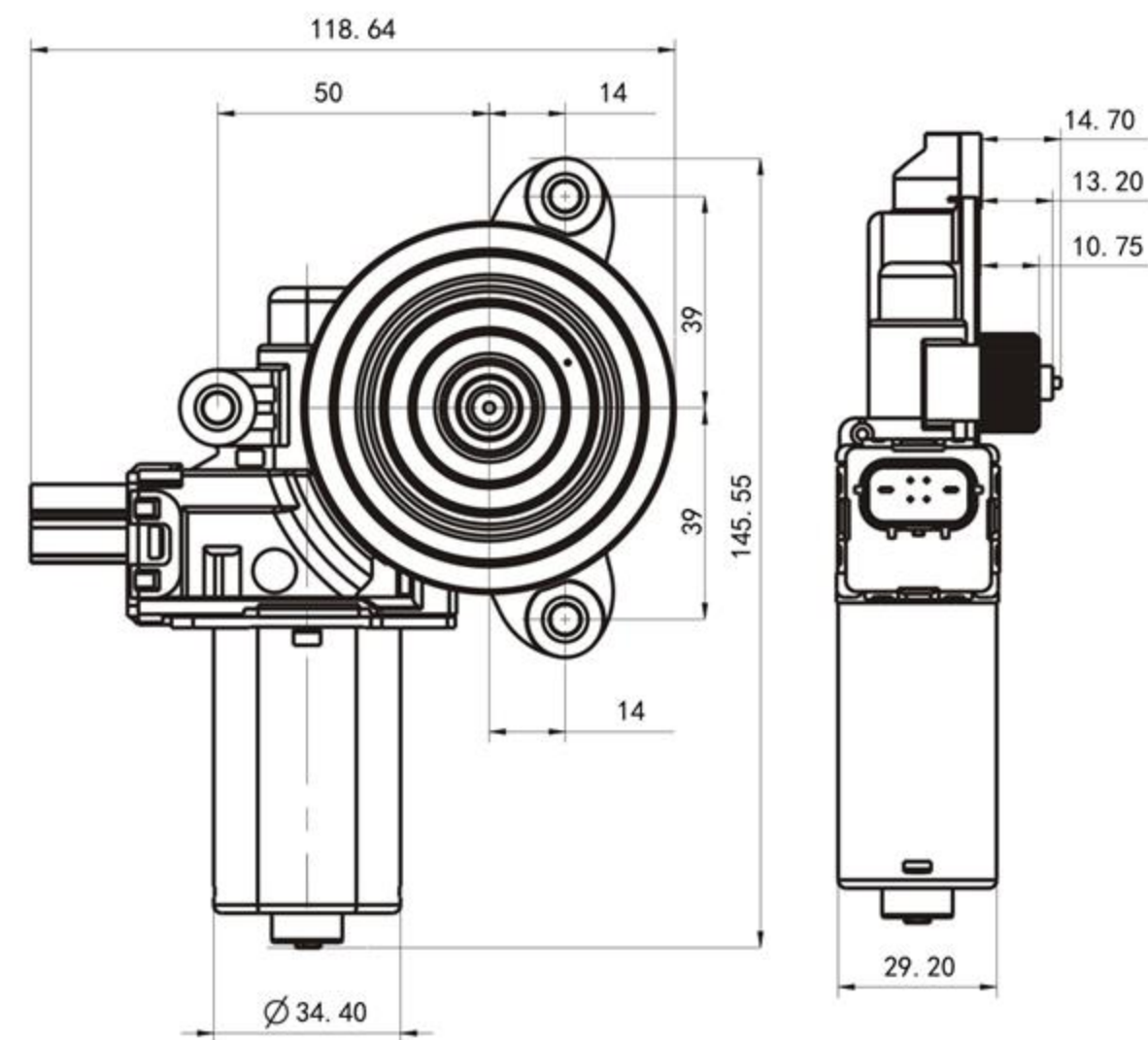
额定工作电压	Rated Voltage	12	V
额定负载	Rated Torque	2.94	N-m
空载电流	No Load Current	<2	A
空载转速	No Load Speed	>79	rpm
额定电流	Rated Current	<10	A
额定转速	Rated Speed	65±15	rpm
堵转电流	Stall Current	<28	A
堵转转矩	Stall Torque	6.86~11.27	N-m
噪声	Noise	<55	dB
最大功率	Power	25	w

可选用的输出轴形式 Out shift

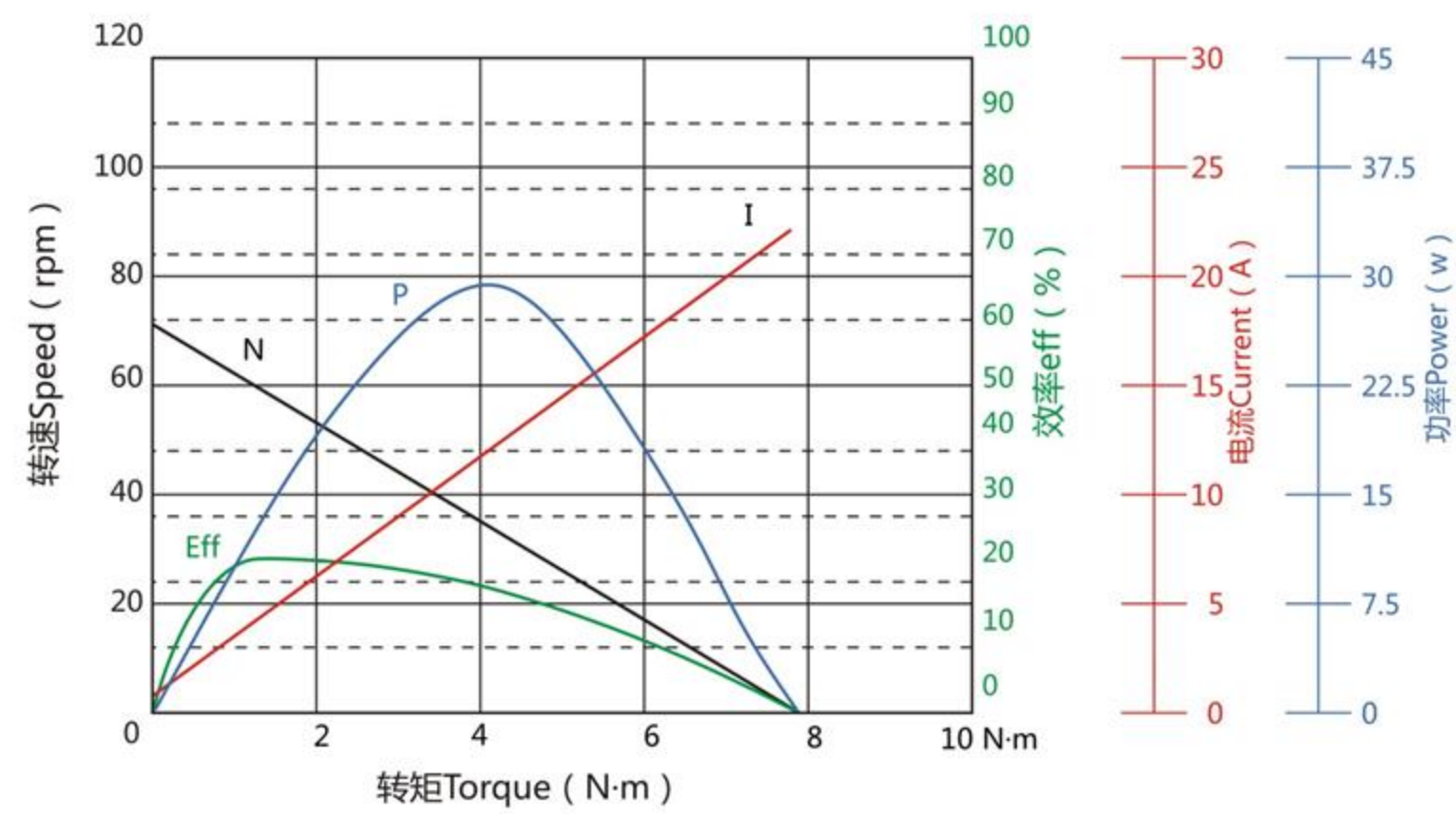


HT308 摇窗电机
Power Window Motor

外形尺寸 Appearance Shape and Size



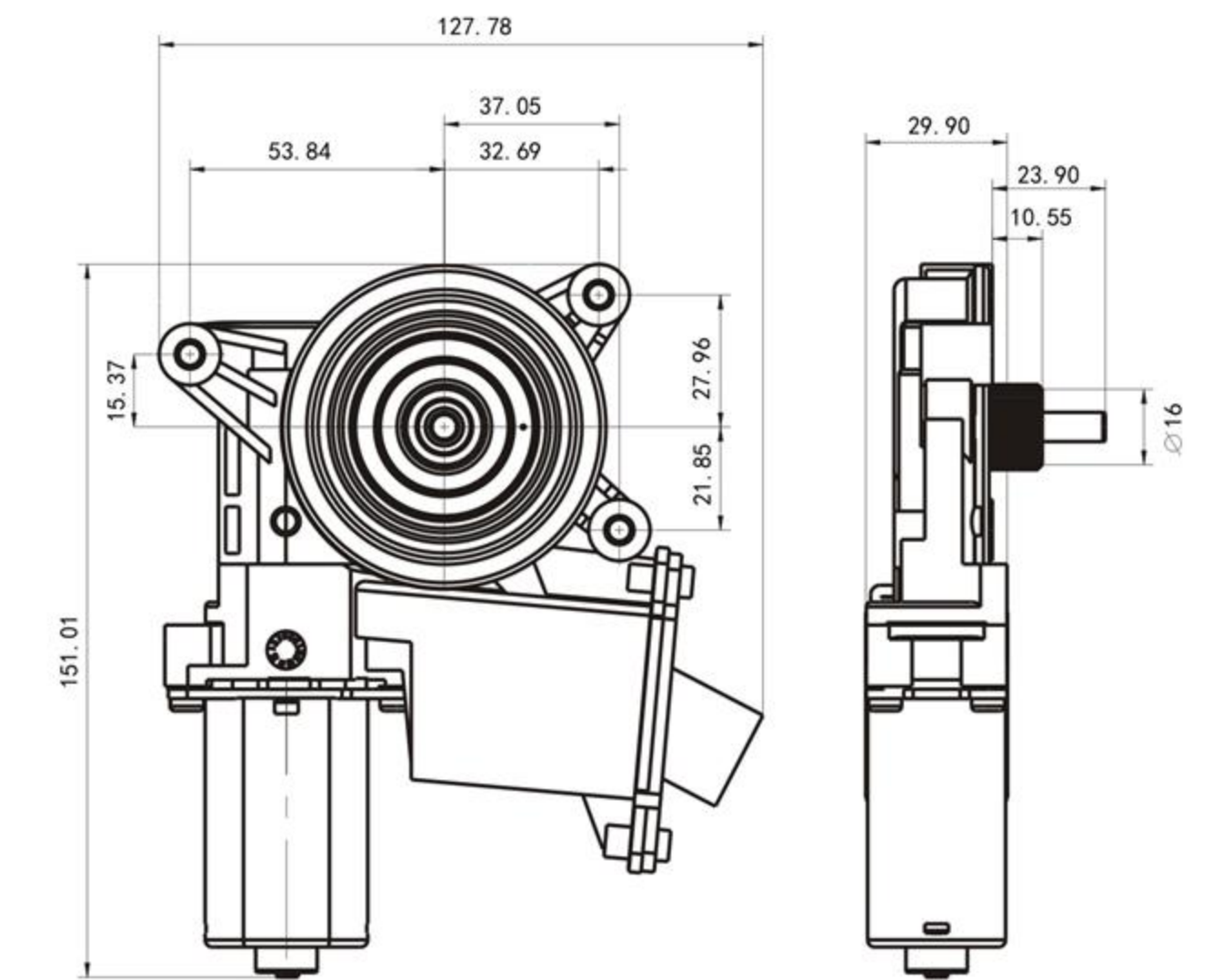
规格及技术参数 Specification and Parameter



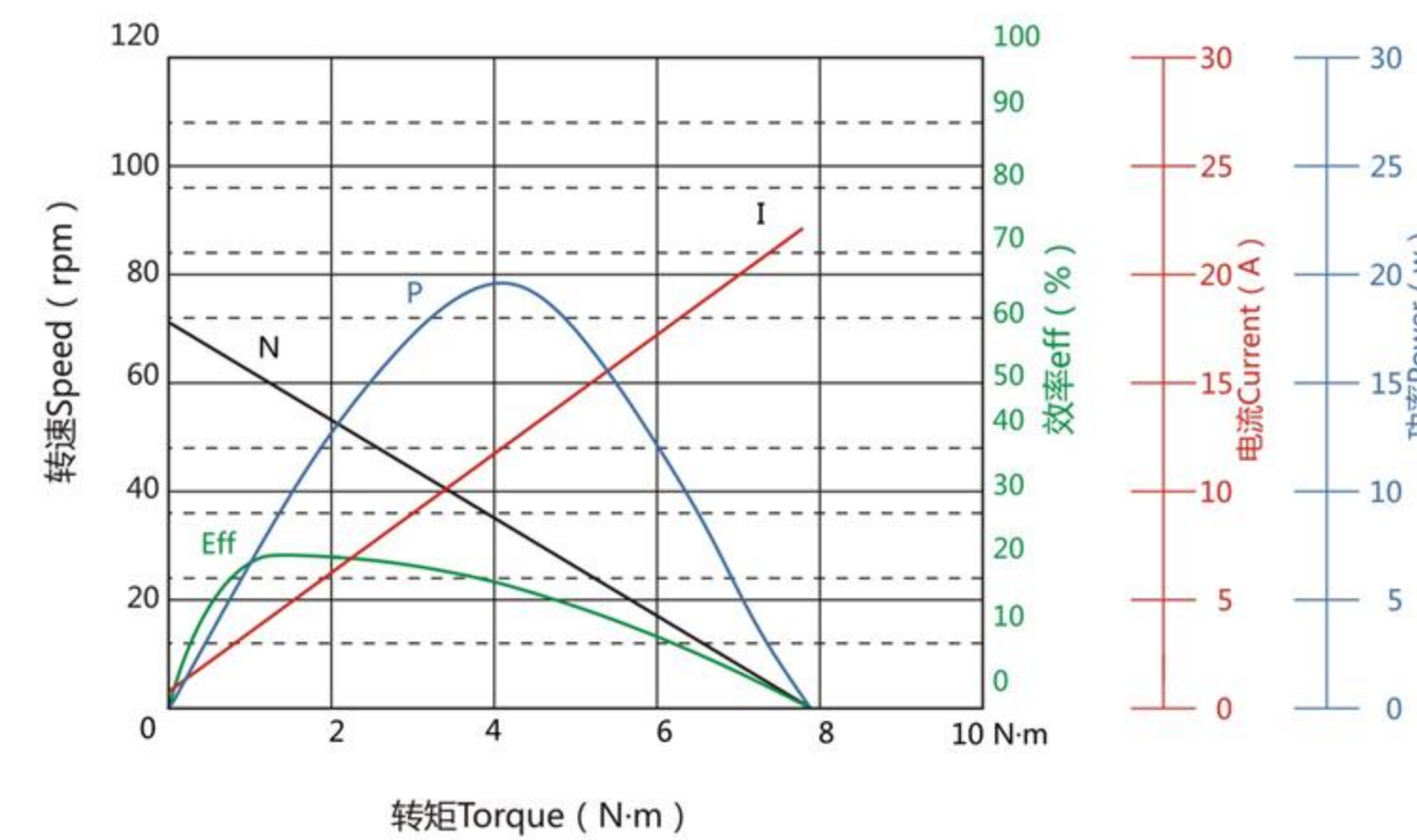
额定工作电压	Rated Voltage	12	V
额定负载	Rated Torque	3	N-m
空载电流	No Load Current	<2.5	A
空载转速	No Load Speed	70±10	rpm
额定电流	Rated Current	<10	A
额定转速	Rated Speed	45±12	rpm
堵转电流	Stall Current	<25	A
堵转转矩	Stall Torque	6~9.5	N-m
噪声	Noise	<55	dB
最大功率	Power	25	w

HT309 摇窗防夹电机
Anti-pinch Power Window Motor

外形尺寸 Appearance Shape and Size



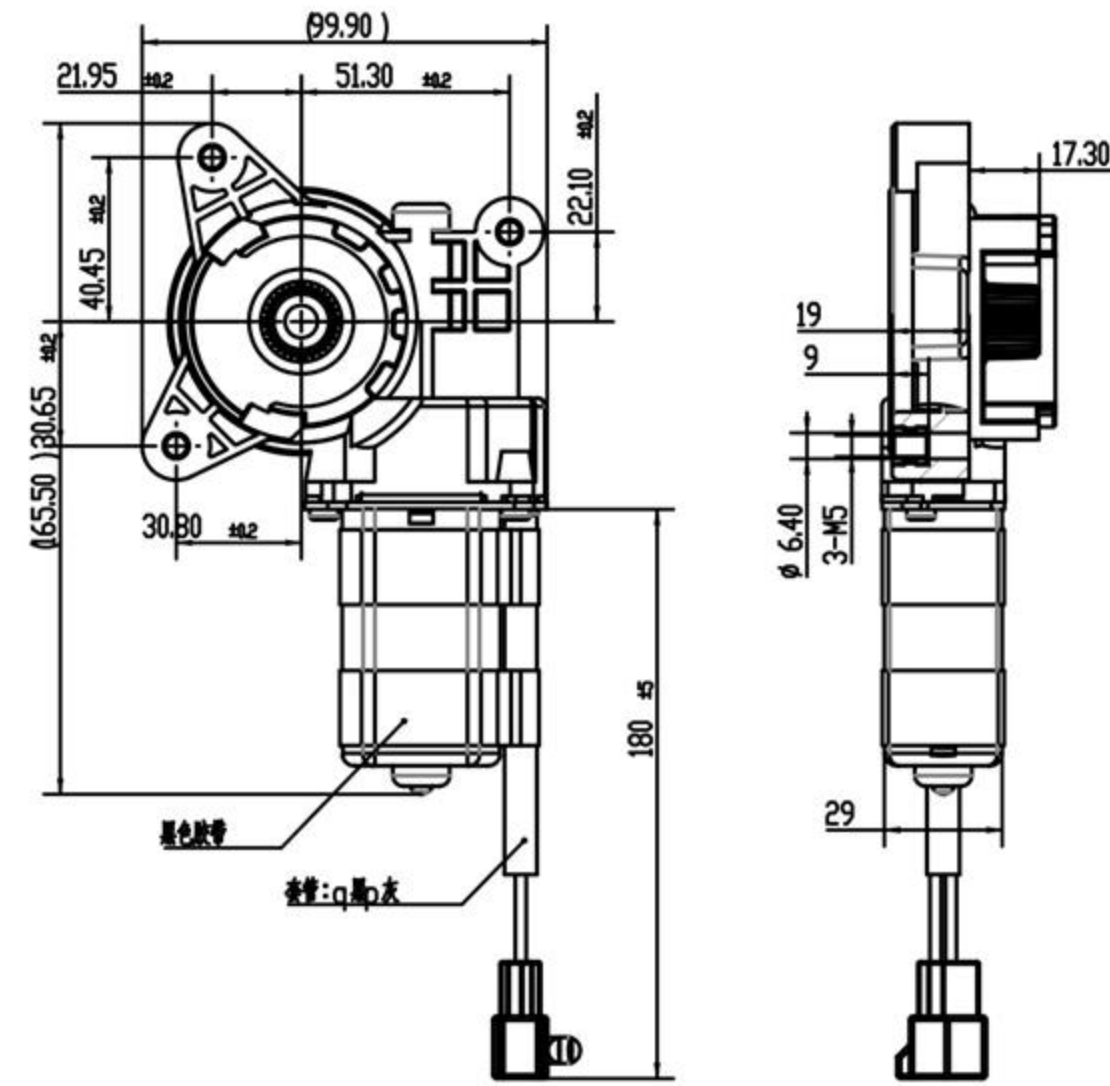
规格及技术参数 Specification and Parameter



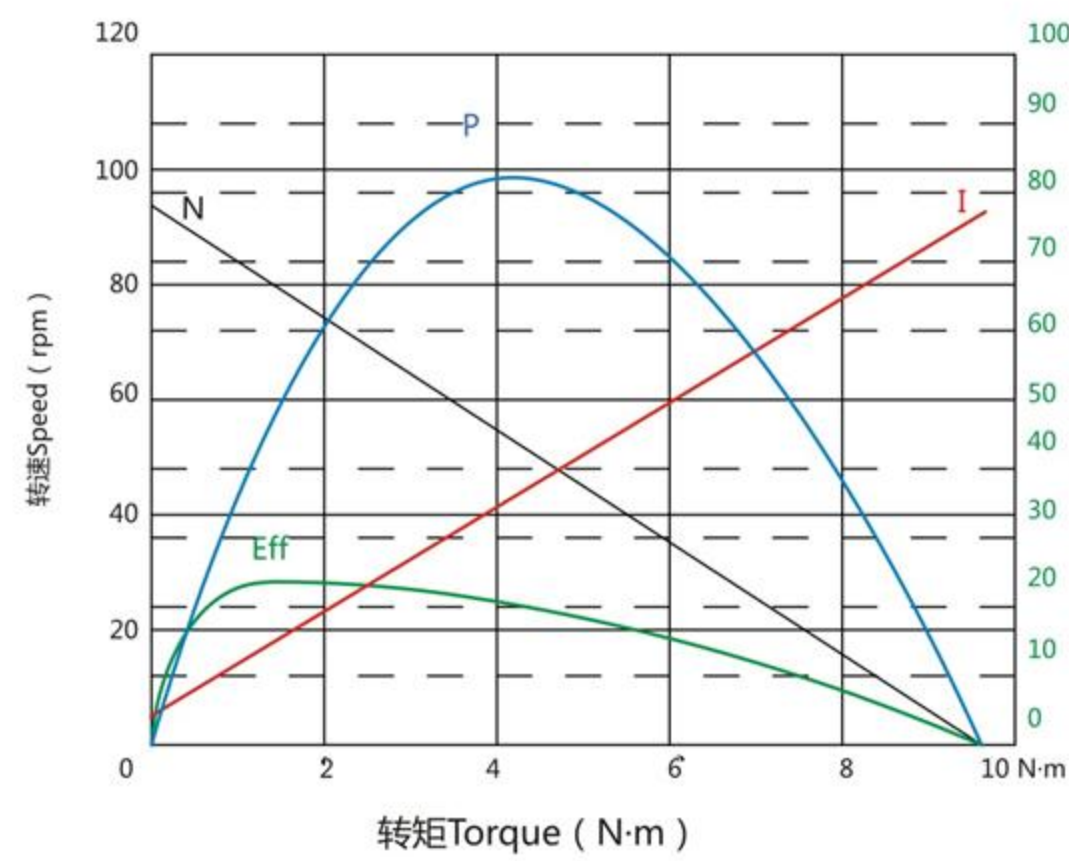
额定工作电压	Rated Voltage	12	V
额定负载	Rated Torque	3	N-m
空载电流	No Load Current	<2.5	A
空载转速	No Load Speed	70±10	rpm
额定电流	Rated Current	<10	A
额定转速	Rated Speed	45±12	rpm
堵转电流	Stall Current	<25	A
堵转转矩	Stall Torque	6~9.5	N-m
噪声	Noise	<55	dB
最大功率	Power	25	w

HT316摇窗电机
Power Window Motor

外形尺寸 Appearance Shape and Size



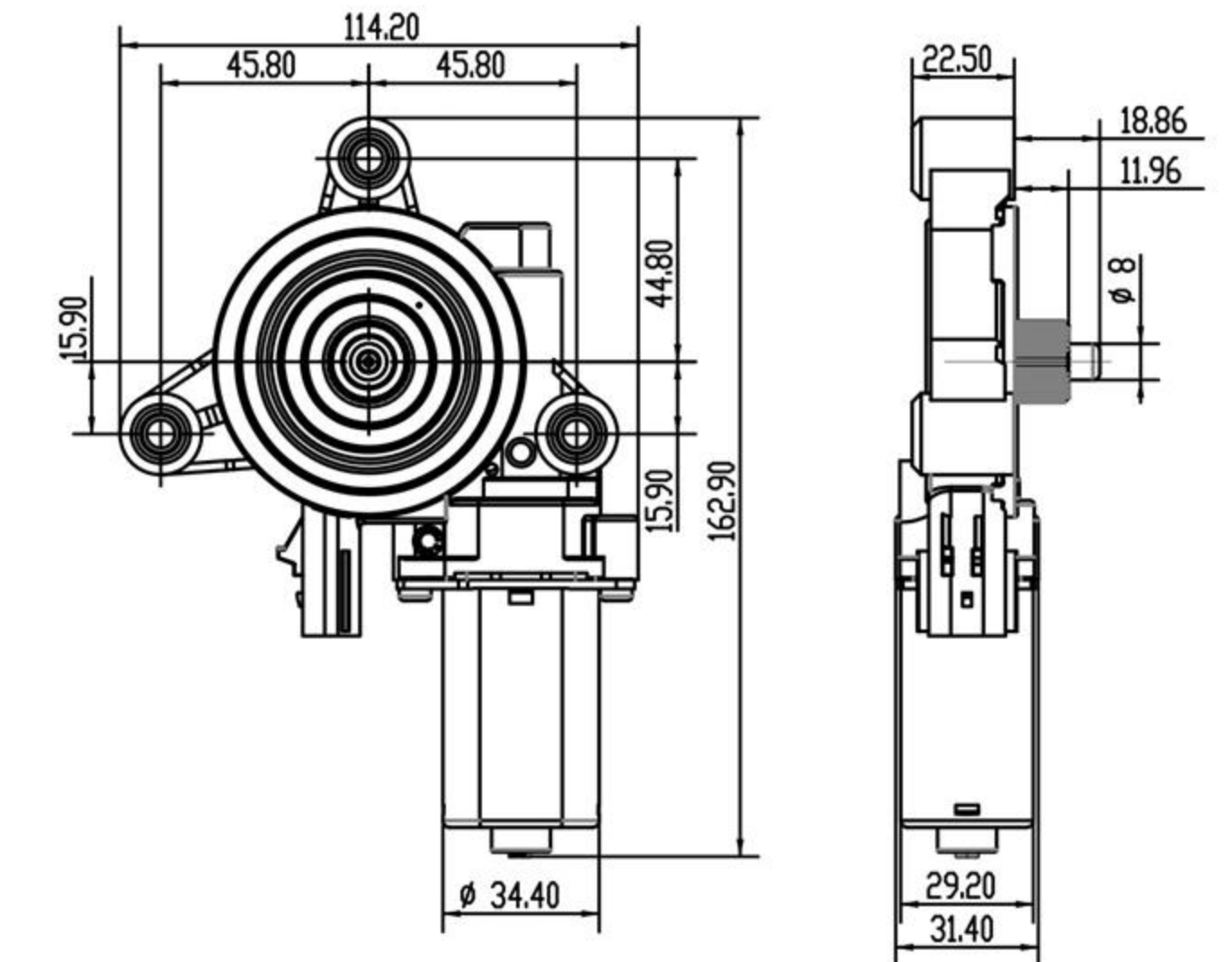
规格及技术参数 Specification and Parameter



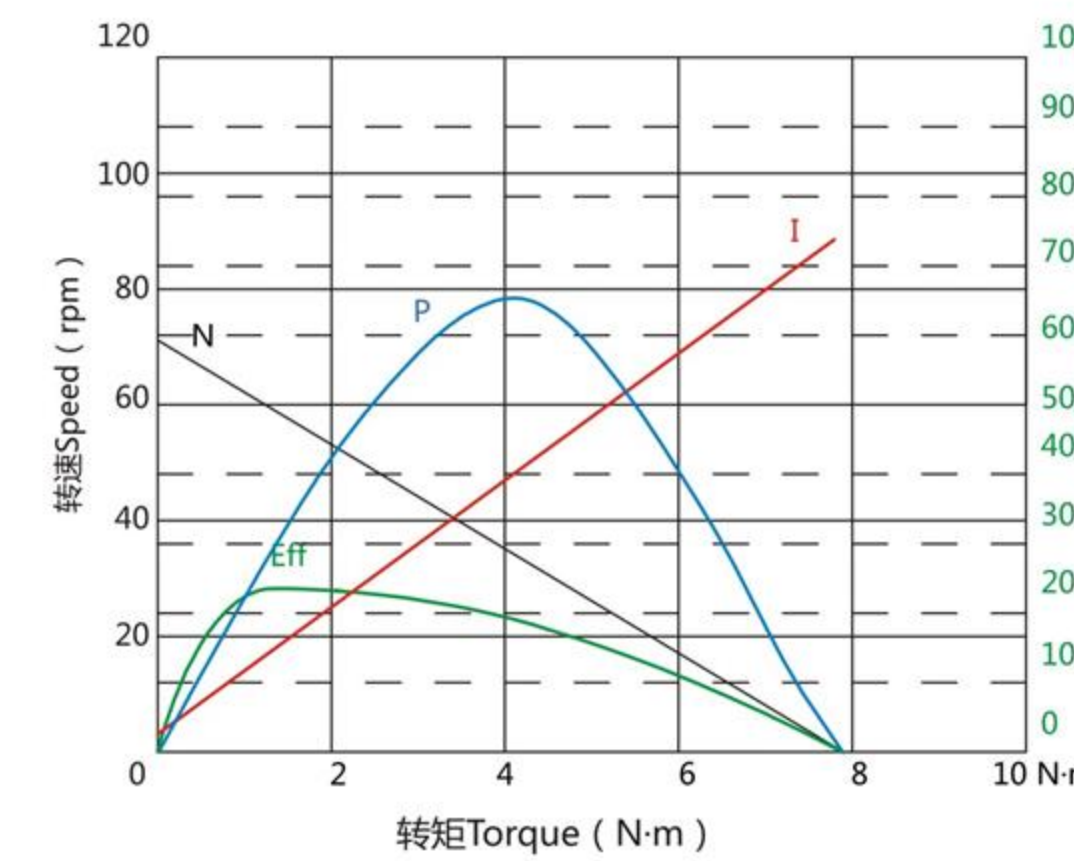
额定工作电压	Rated Voltage	12	V
额定负载	Rated Torque	2.94	N-m
空载电流	No Load Current	< 2.5	A
空载转速	No Load Speed	> 79	rpm
额定电流	Rated Current	< 10	A
额定转速	Rated Speed	65±15	rpm
堵转电流	Stall Current	< 28	A
堵转转矩	Stall Torque	6.86-11.27	N-m
噪声	Noise	< 55	dB
最大功率	Power	25	w

HT317摇窗电机
Power Window Motor

外形尺寸 Appearance Shape and Size



规格及技术参数 Specification and Parameter



额定工作电压	Rated Voltage	12	V
额定负载	Rated Torque	3	N-m
空载电流	No Load Current	< 2.5	A
空载转速	No Load Speed	70±10	rpm
额定电流	Rated Current	< 10	A
额定转速	Rated Speed	45±12	rpm
堵转电流	Stall Current	< 25	A
堵转转矩	Stall Torque	6-9.5	N-m
噪声	Noise	< 55	dB
最大功率	Power	25	w

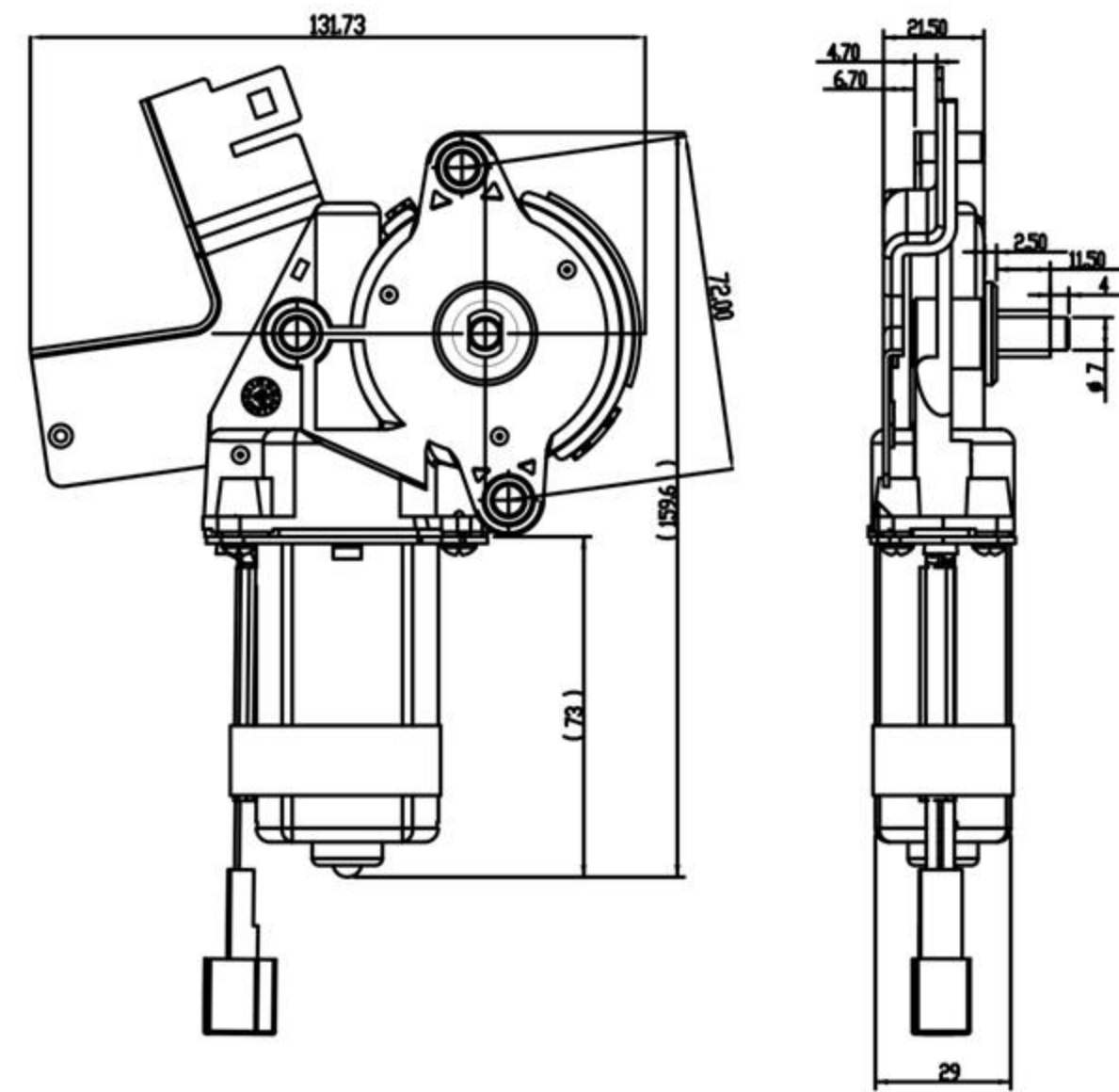
可选用的输出轴形式 Out shift



HT302 天窗电机 Sunroof Motor



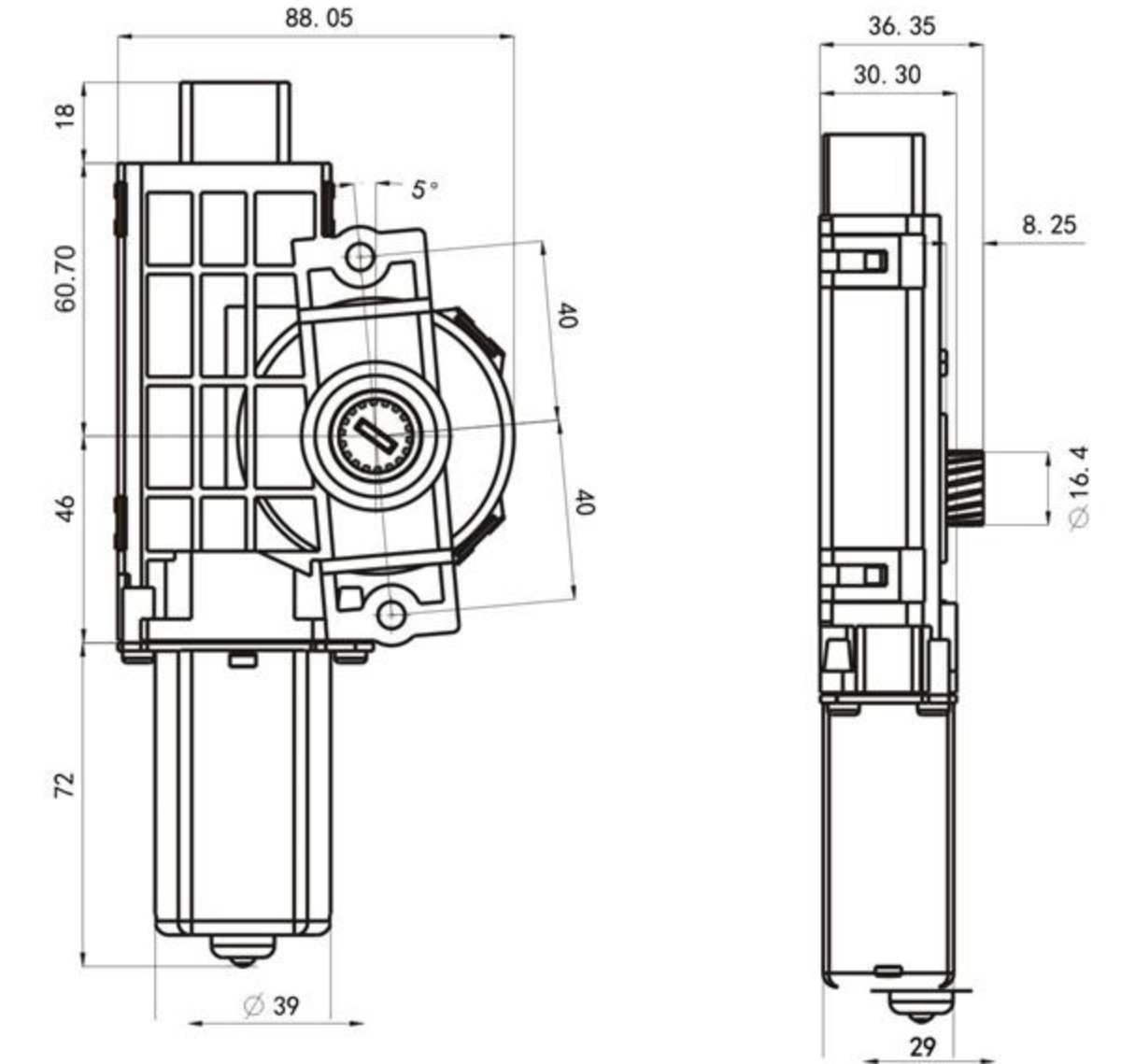
外形尺寸 Appearance Shape and Size



HT202 天窗防夹电机 Anti-pinch Sunroof Motor

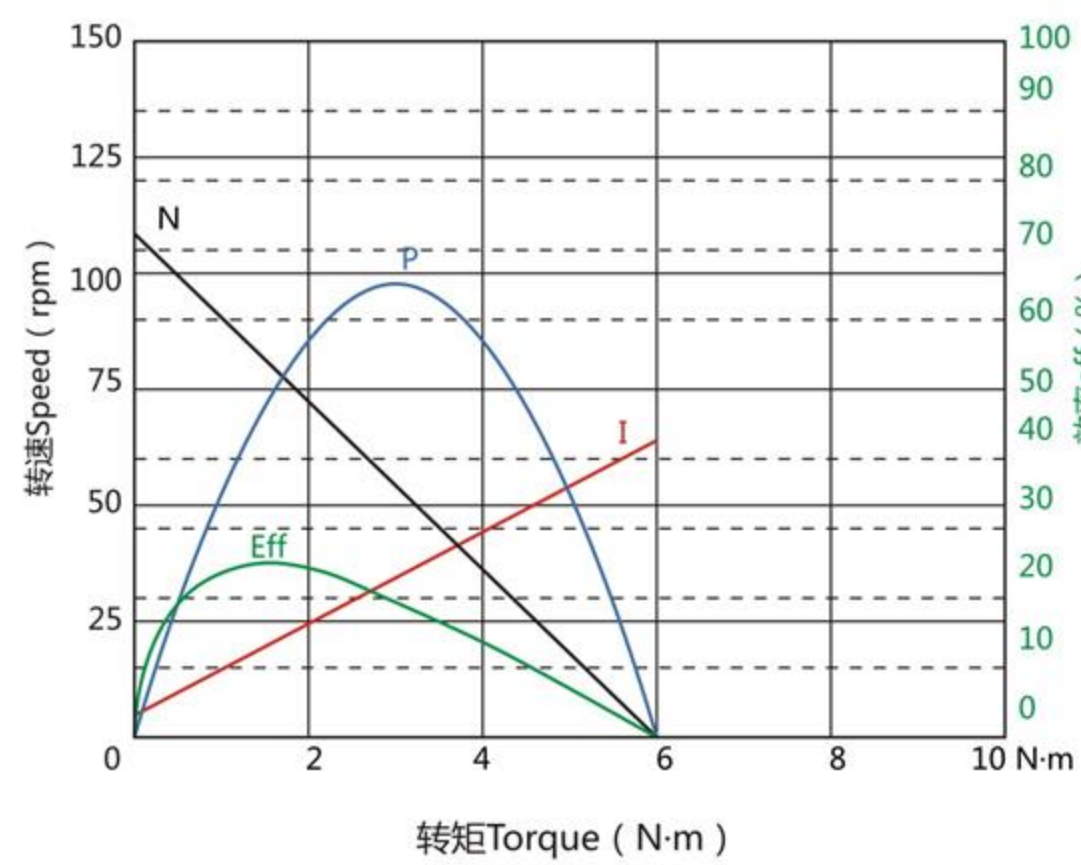


外形尺寸 Appearance Shape and Size



规格及技术参数

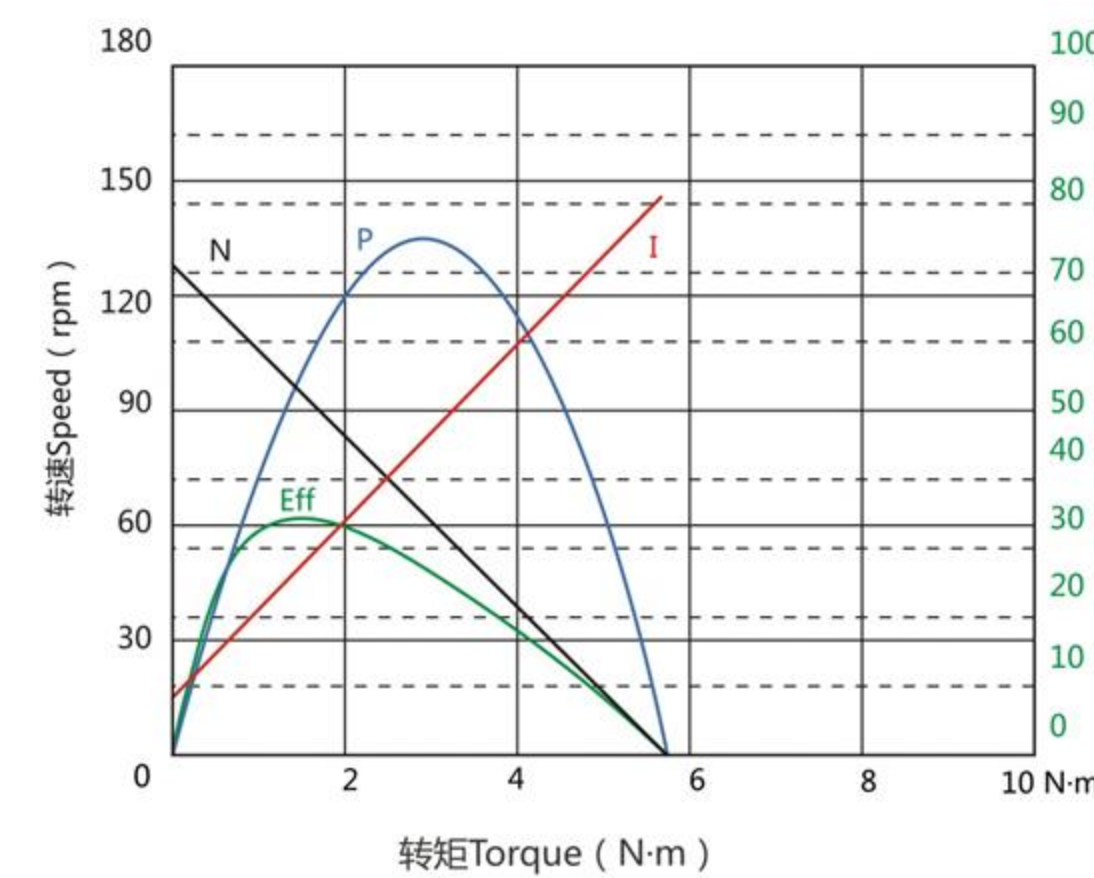
Specification and Parameter



额定工作电压	Rated Voltage	14	V
额定负载	Rated Torque	2	N-m
空载电流	No Load Current	<2	A
空载转速	No Load Speed	110±15	rpm
额定电流	Rated Current	<7	A
额定转速	Rated Speed	75±15	rpm
堵转电流	Stall Current	<16	A
堵转转矩	Stall Torque	>4.5	N-m
噪声	Noise	<55	dB
最大功率	Power	20	w

规格及技术参数

Specification and Parameter



额定工作电压	Rated Voltage	12	V
额定负载	Rated Torque	1.47	N-m
空载电流	No Load Current	<2.5	A
空载转速	No Load Speed	>109	rpm
额定电流	Rated Current	<5.9	A
额定转速	Rated Speed	97±15	rpm
堵转电流	Stall Current	<18.4	A
堵转转矩	Stall Torque	6.37±2	N-m
噪声	Noise	<55	dB
最大功率	Power	20	w

可选用的输出轴形式

Out shift



可选用的输出轴形式

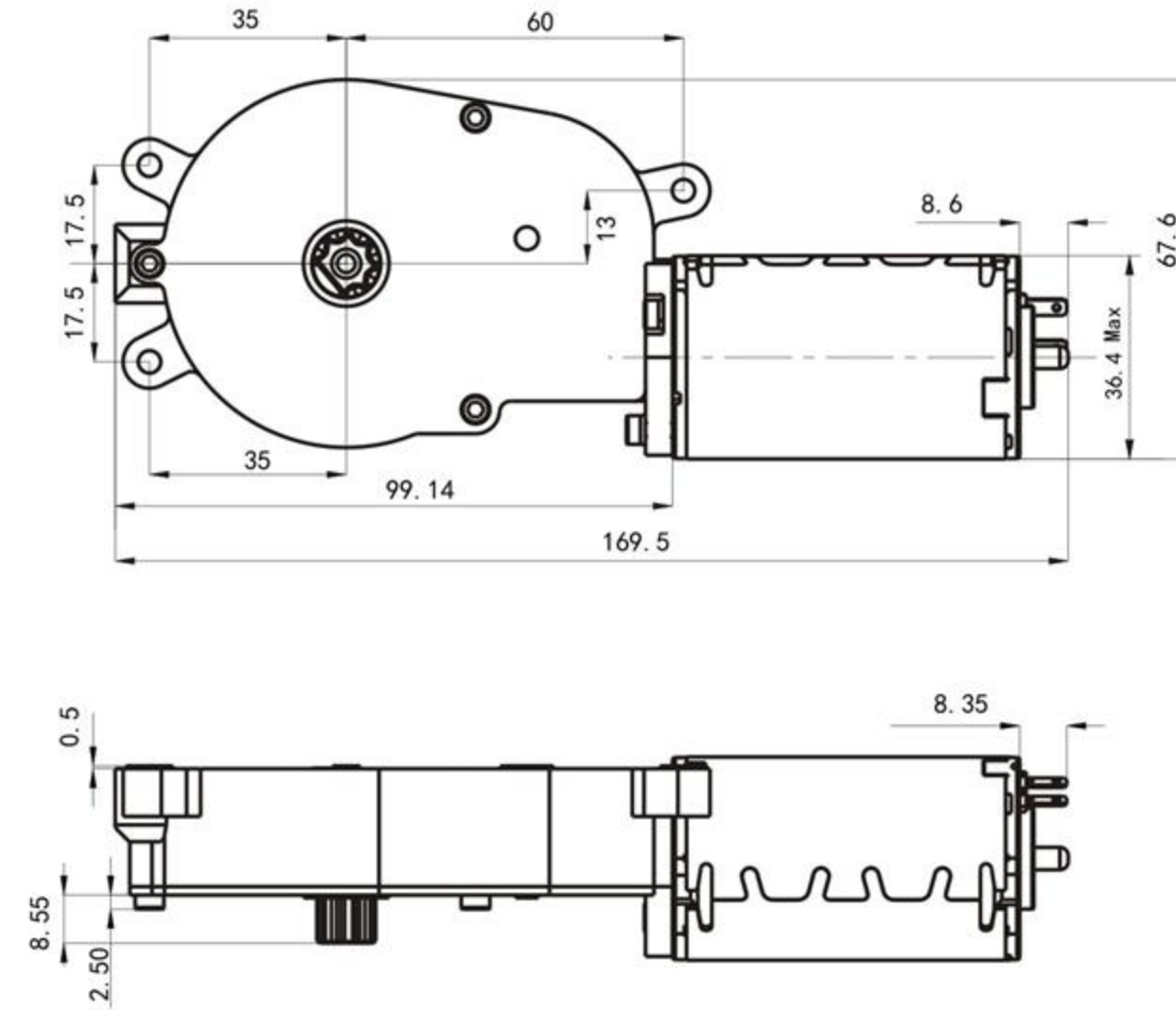
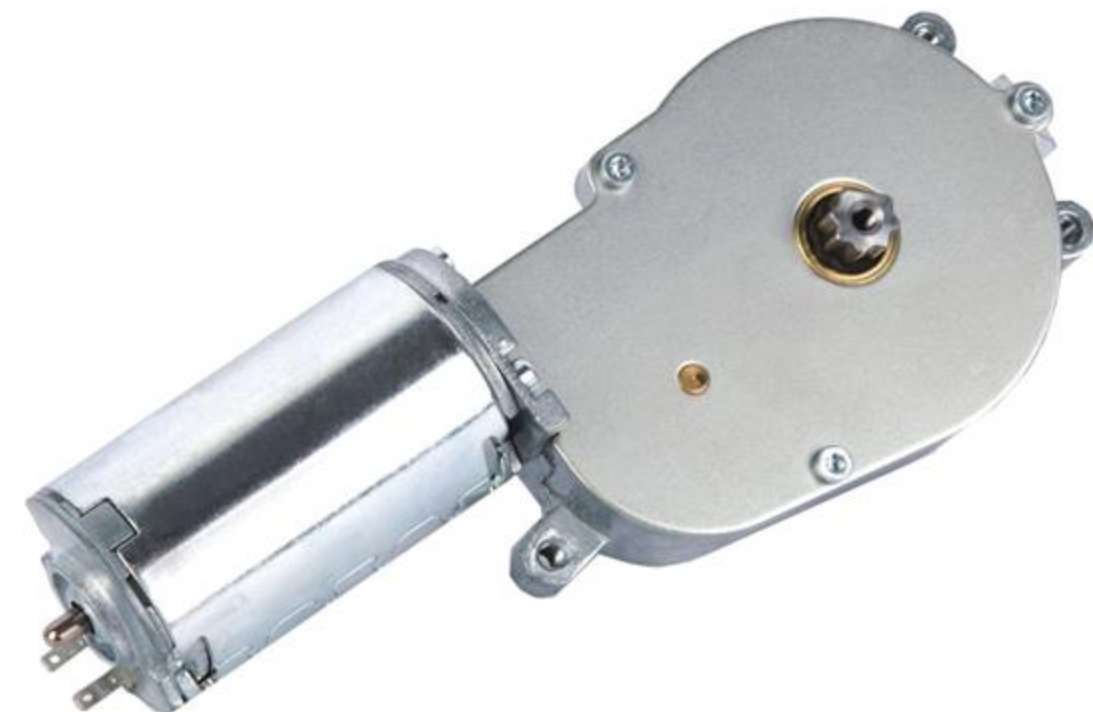
Out shift



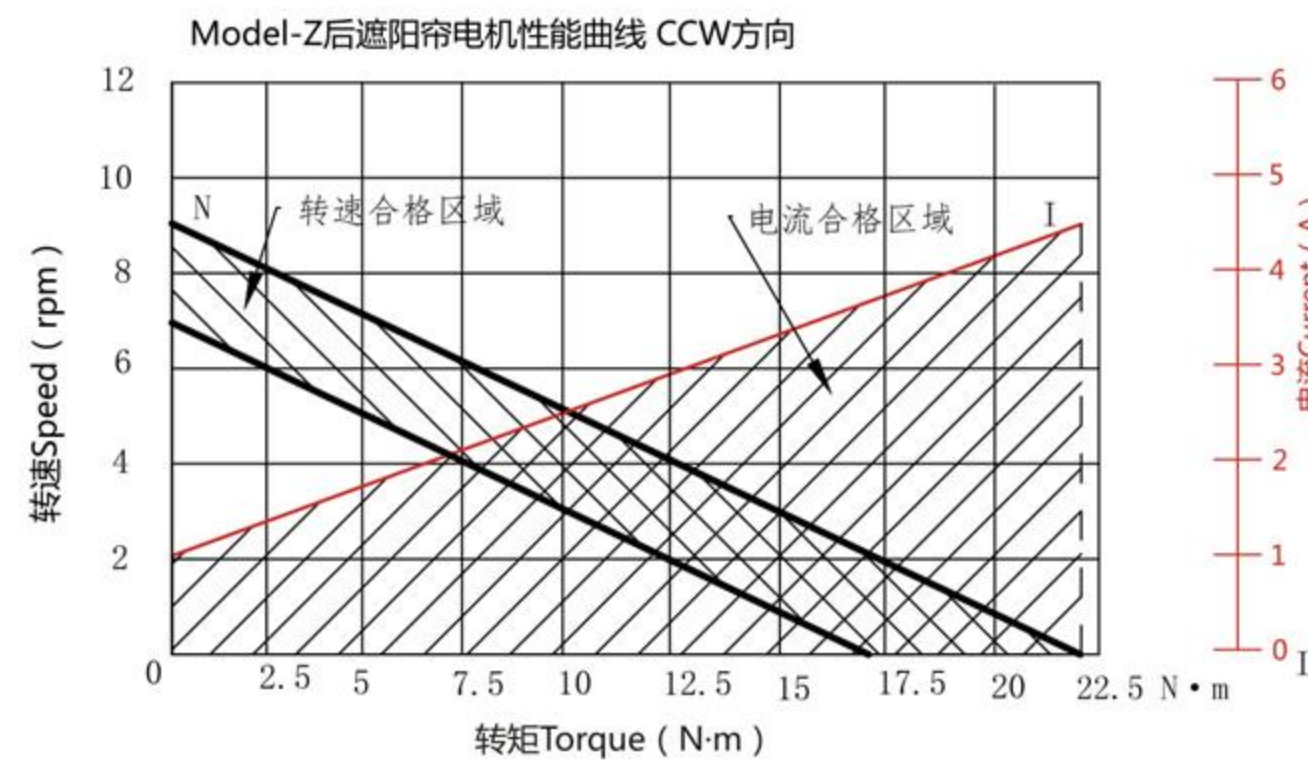


HT305 遮阳电机
Sunshade Curtain Motor

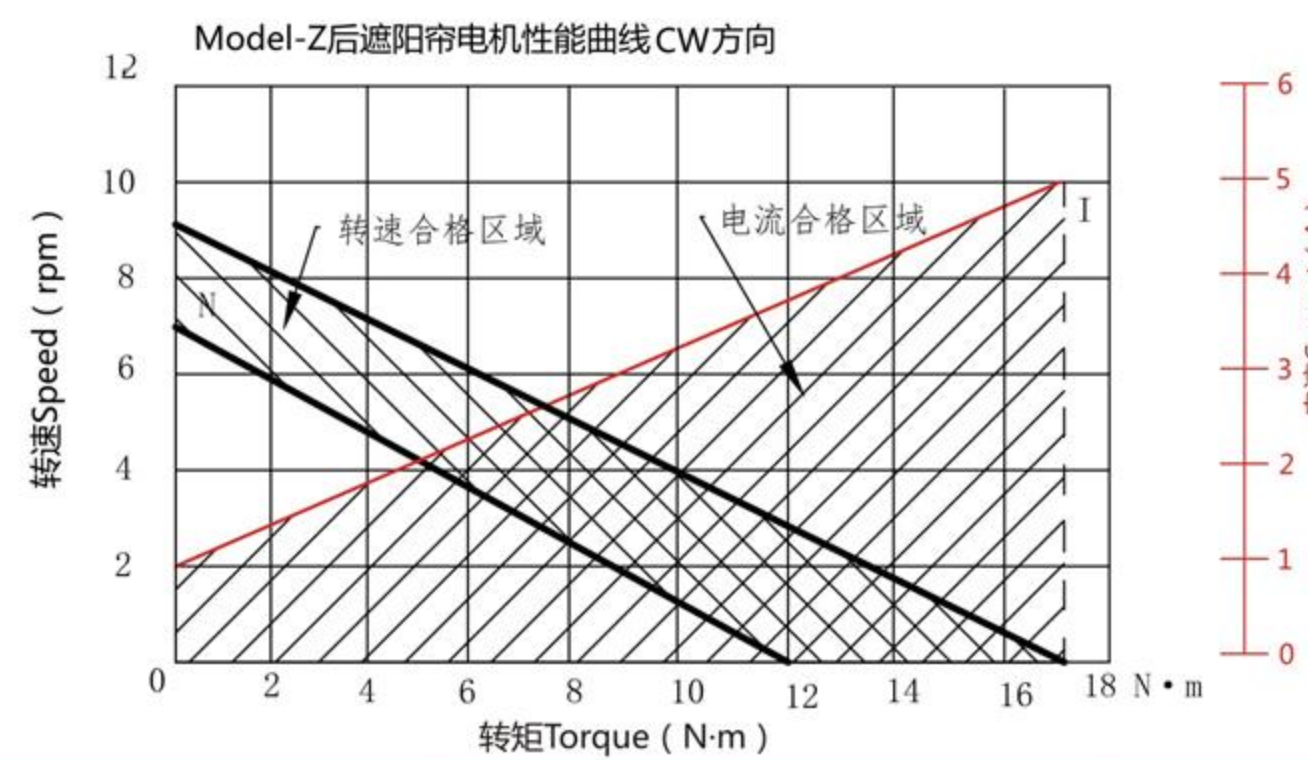
外形尺寸 Appearance Shape and Size



规格及技术参数 Specification and Parameter



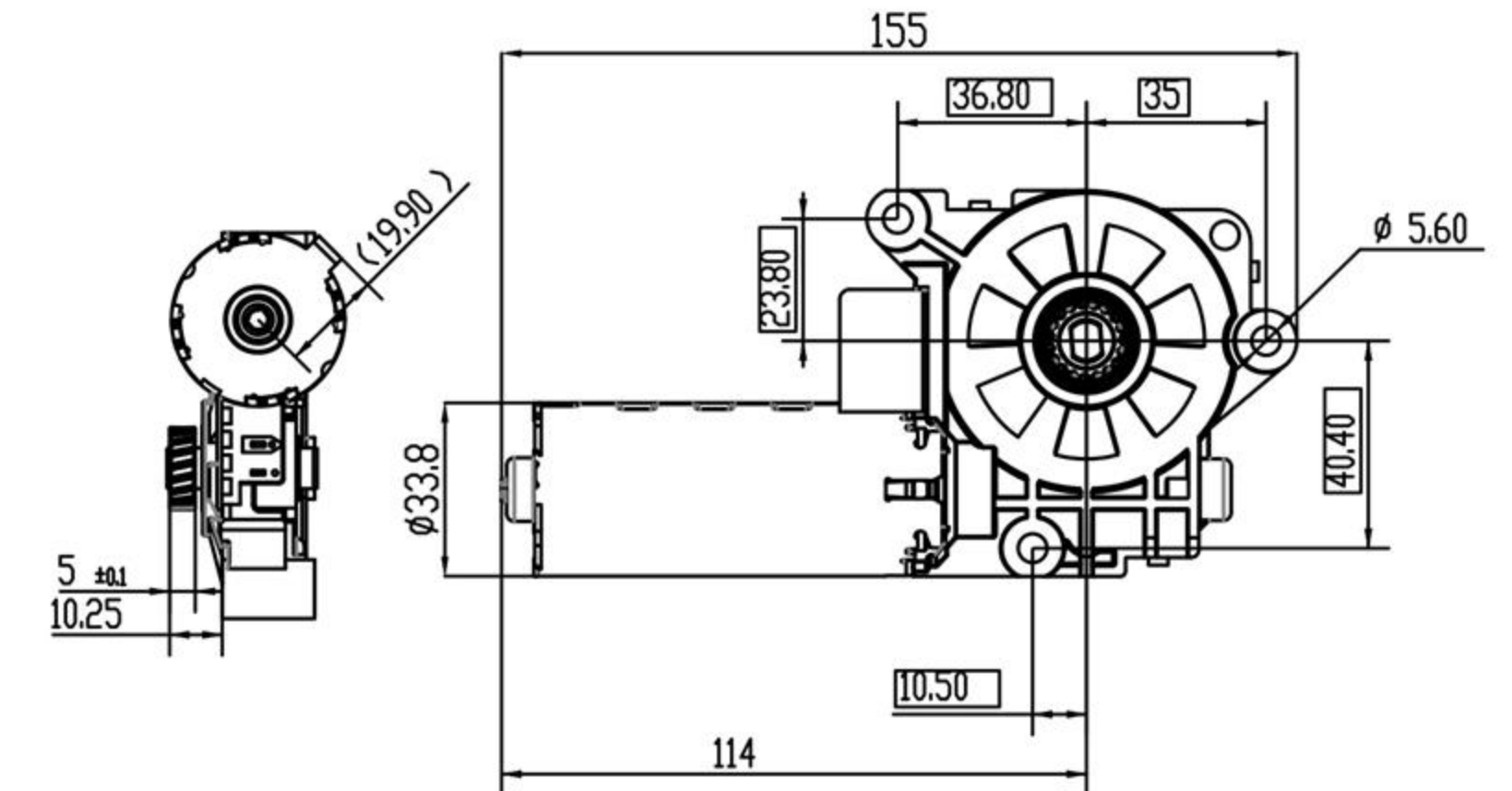
额定工作电压	Rated Voltage	13.00	v
空载性能	No-Load characteristic:		
空载转速	No Load Speed	Max 9 Min 7	RPM
空载电流	No Load Current	Max 2.0	Amp
堵转性能	Locked-toror performance:		
堵转力矩	Stall torque	Max 22 Min 17	N·m
堵转电流	Stall Current	Max 5.0	Amp



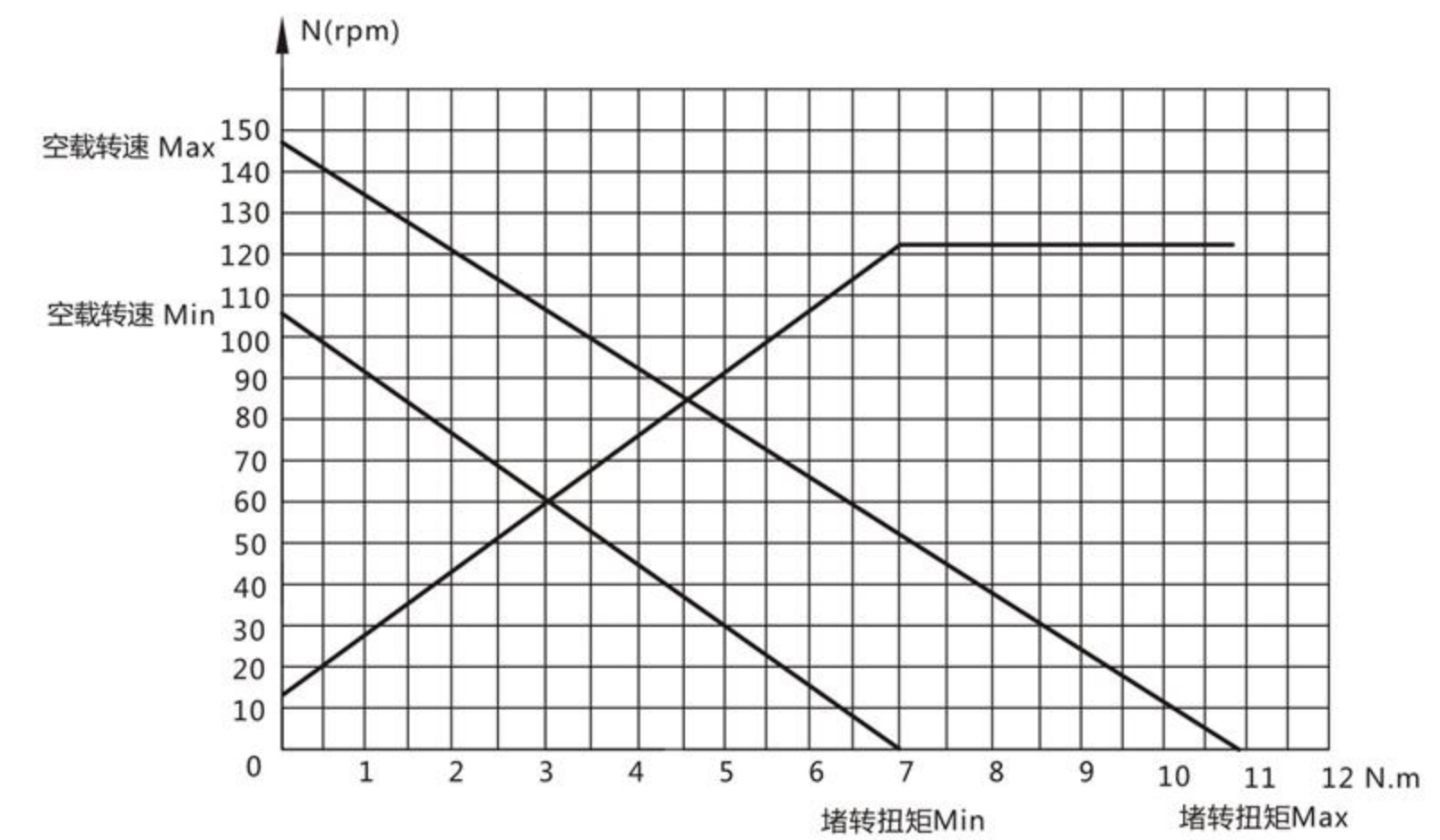
额定工作电压	Rated Voltage	13.00	v
空载性能	No-Load characteristic:		
空载转速	No Load Speed	Max 9 Min 7	RPM
空载电流	No Load Current	Max 2.0	Amp
堵转性能	Locked-toror performance:		
堵转力矩	Stall torque	Max 17 Min 12	N·m
堵转电流	Stall Current	Max 5.0	Amp

轻量化防夹天窗电机
Anti-Pinch Sunroof Motor

外形尺寸 Appearance Shape and Size

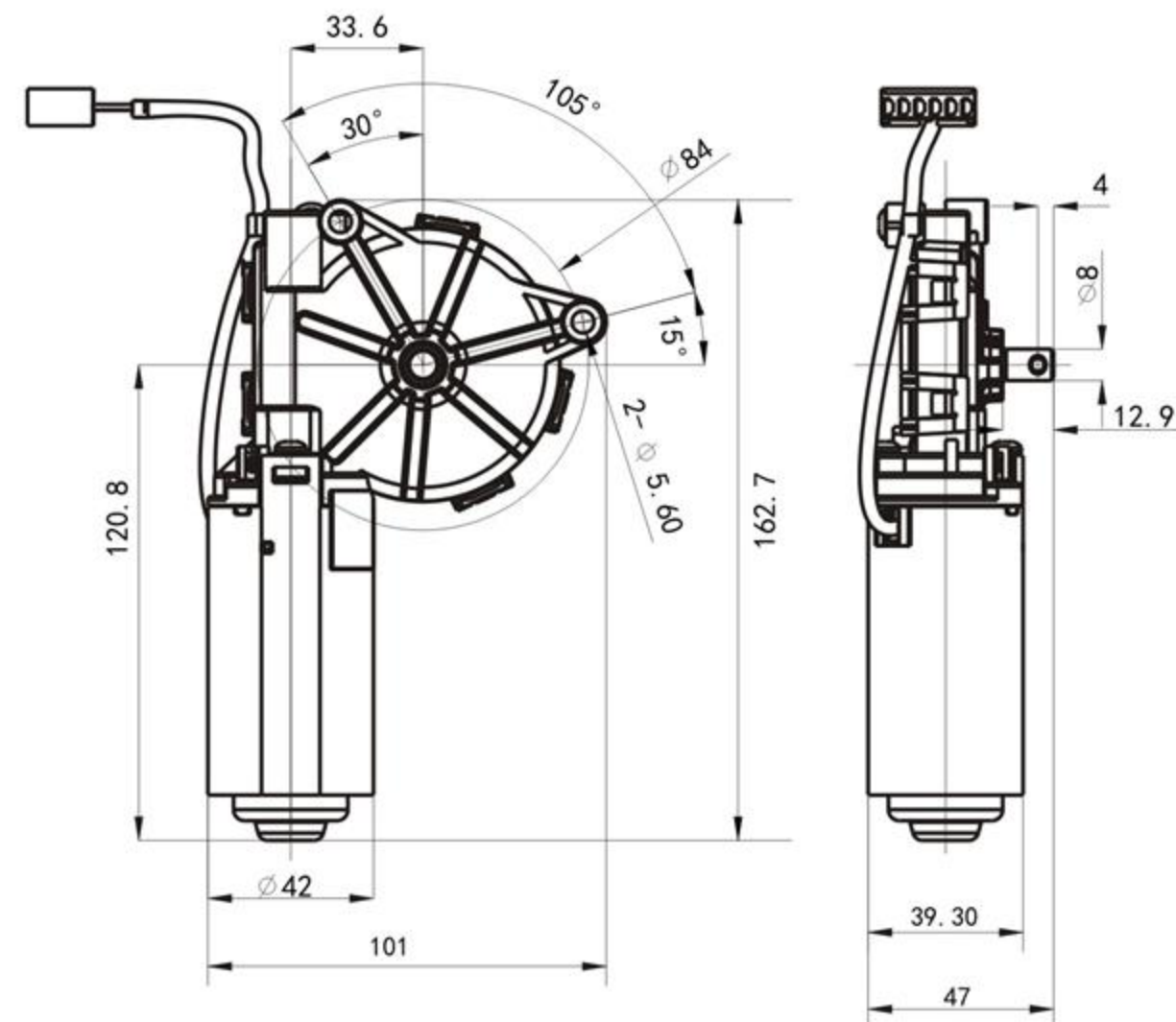


规格及技术参数 Specification and Parameter

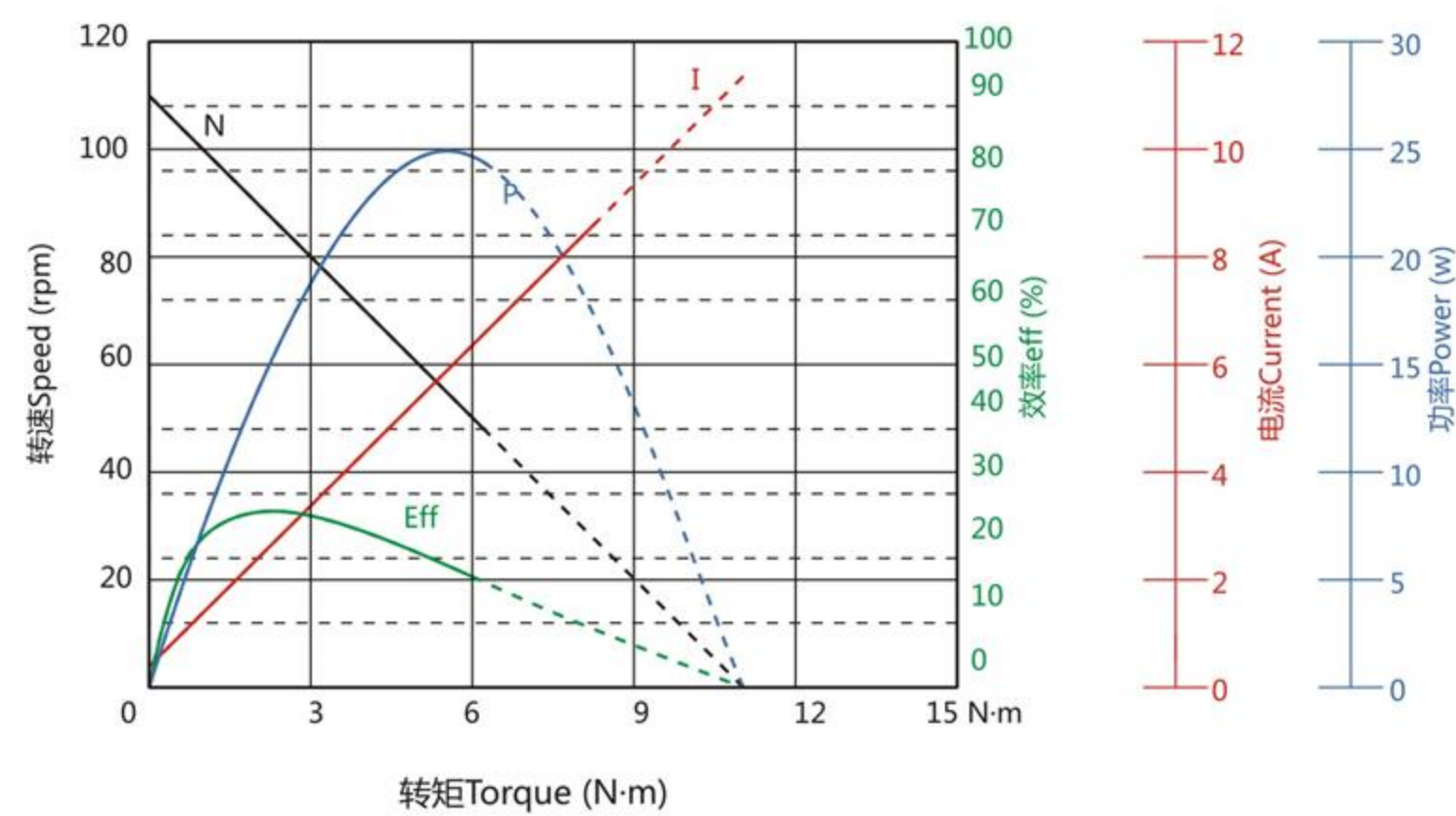


HT200 卫星接收器电机 Satellite Receiving Antenna Motor

外形尺寸 Appearance Shape and Size



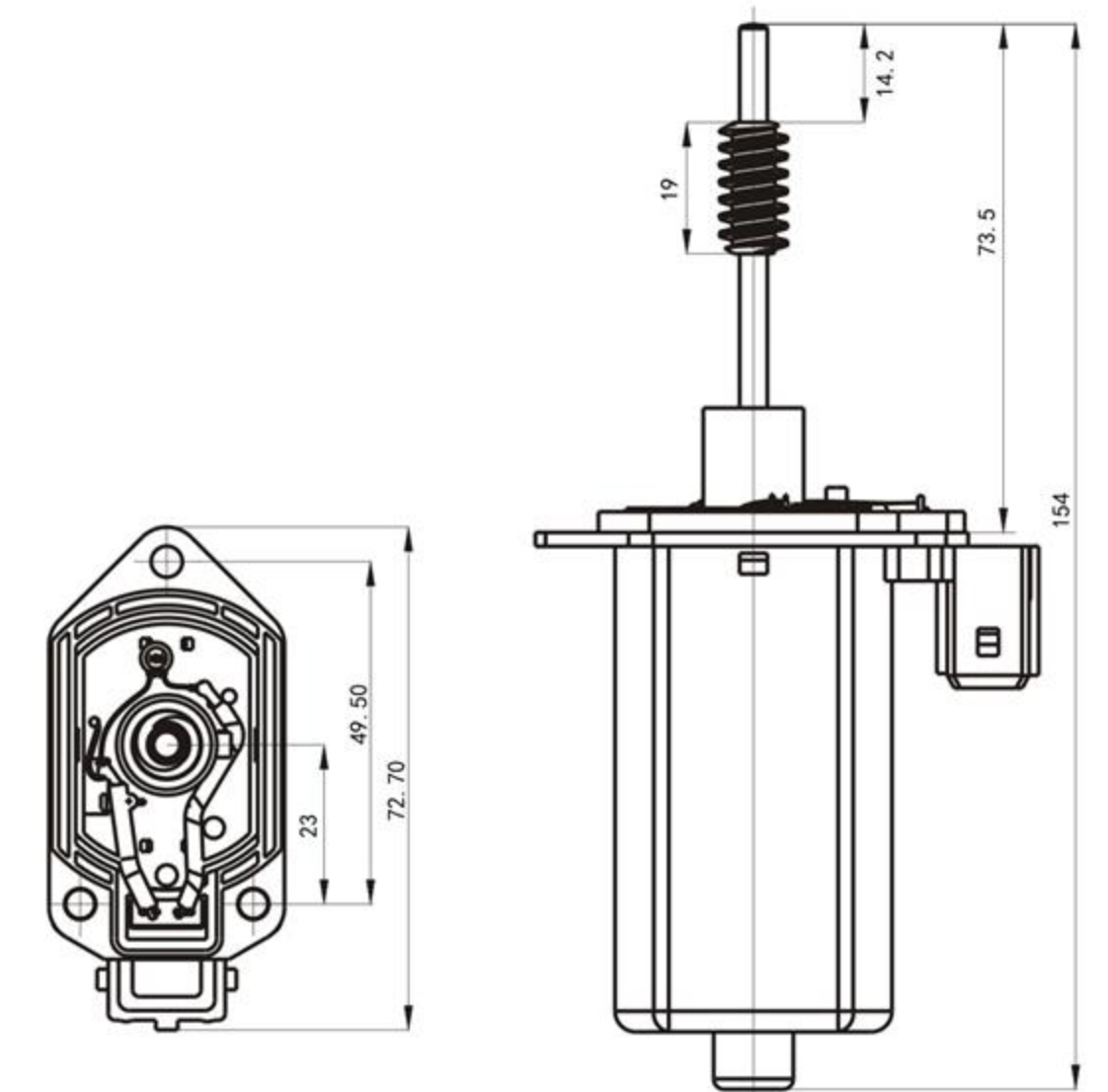
规格及技术参数 Specification and Parameter



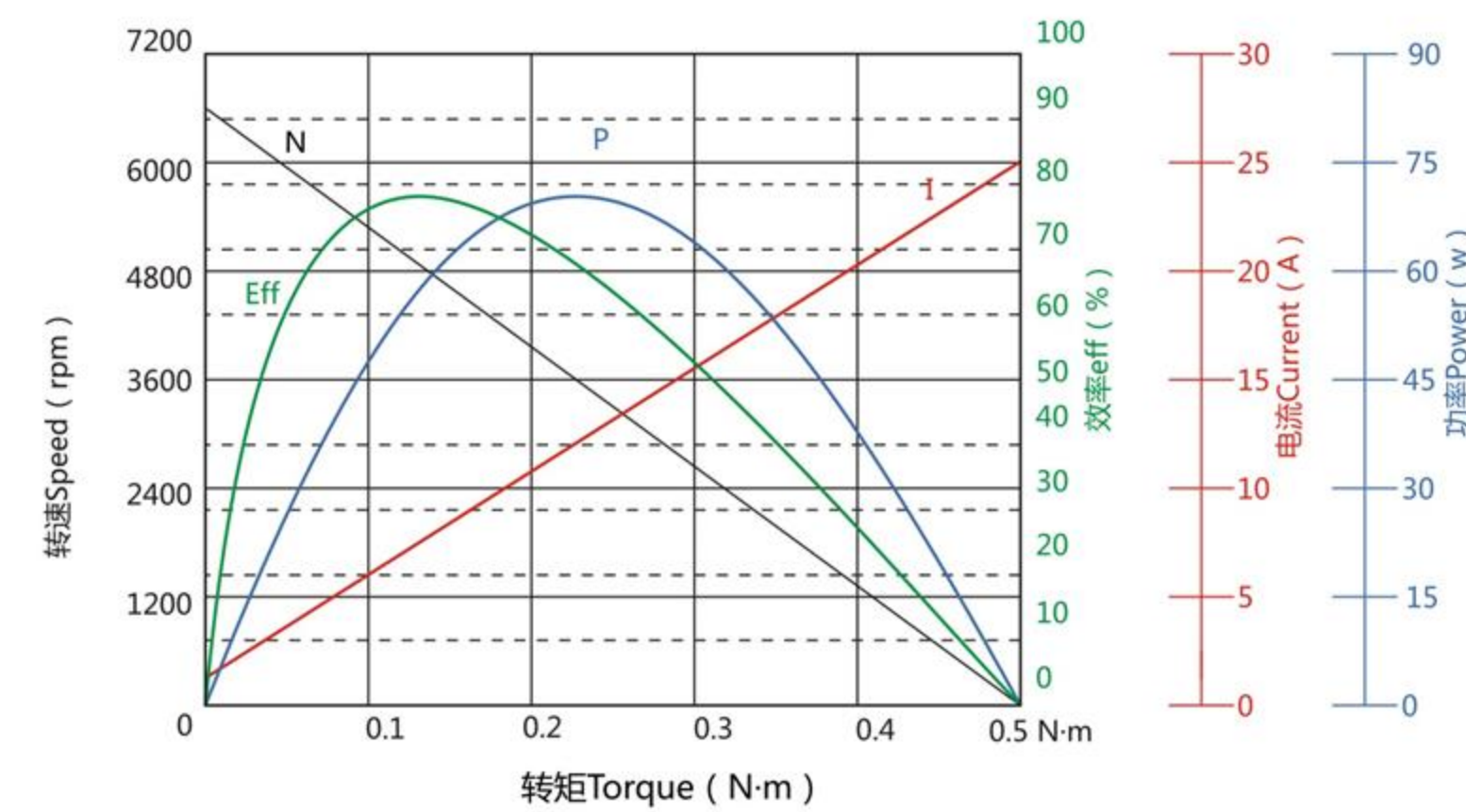
额定工作电压	Rated Voltage	12	V
额定负载	Rated Torque	1.5	N·m
空载电流	No Load Current	<2	A
空载转速	No Load Speed	100±10	rpm
额定电流	Rated Current	<4.5	A
额定转速	Rated Speed	85±15	rpm
噪声	Noise	<55	dB
最大功率	Power	25	w

HT355 摇窗电机 Power Window Motor

外形尺寸 Appearance Shape and Size



规格及技术参数 Specification and Parameter

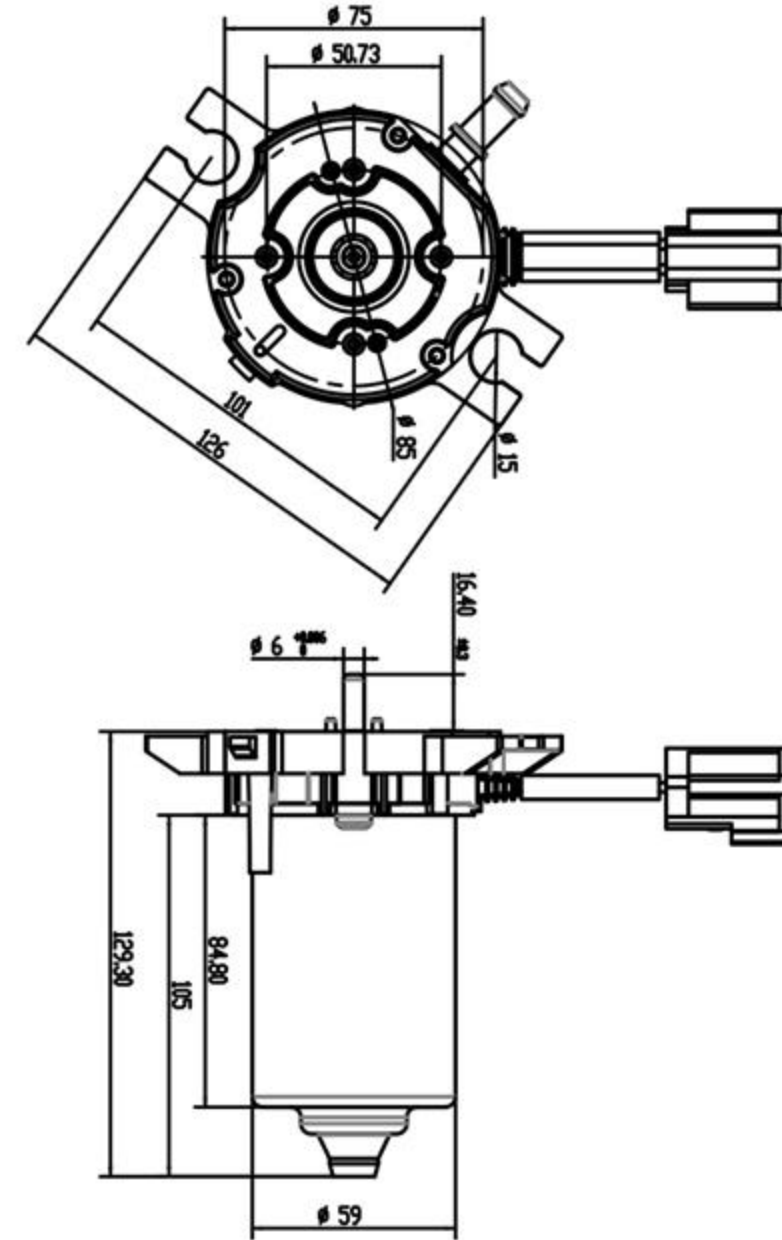


额定工作电压	Rated Voltage	12	V
额定负载	Rated Torque	0.12	N·m
空载电流	No Load Current	<2.0	A
空载转速	No Load Speed	6500±500	rpm
额定电流	Rated Current	<8	A
额定转速	Rated Speed	5000±500	rpm
堵转电流	Stall Current	<28	A
堵转转矩	Stall Torque	>0.34	N·m
噪声	Noise	<45	dB
最大功率	Power	70	w

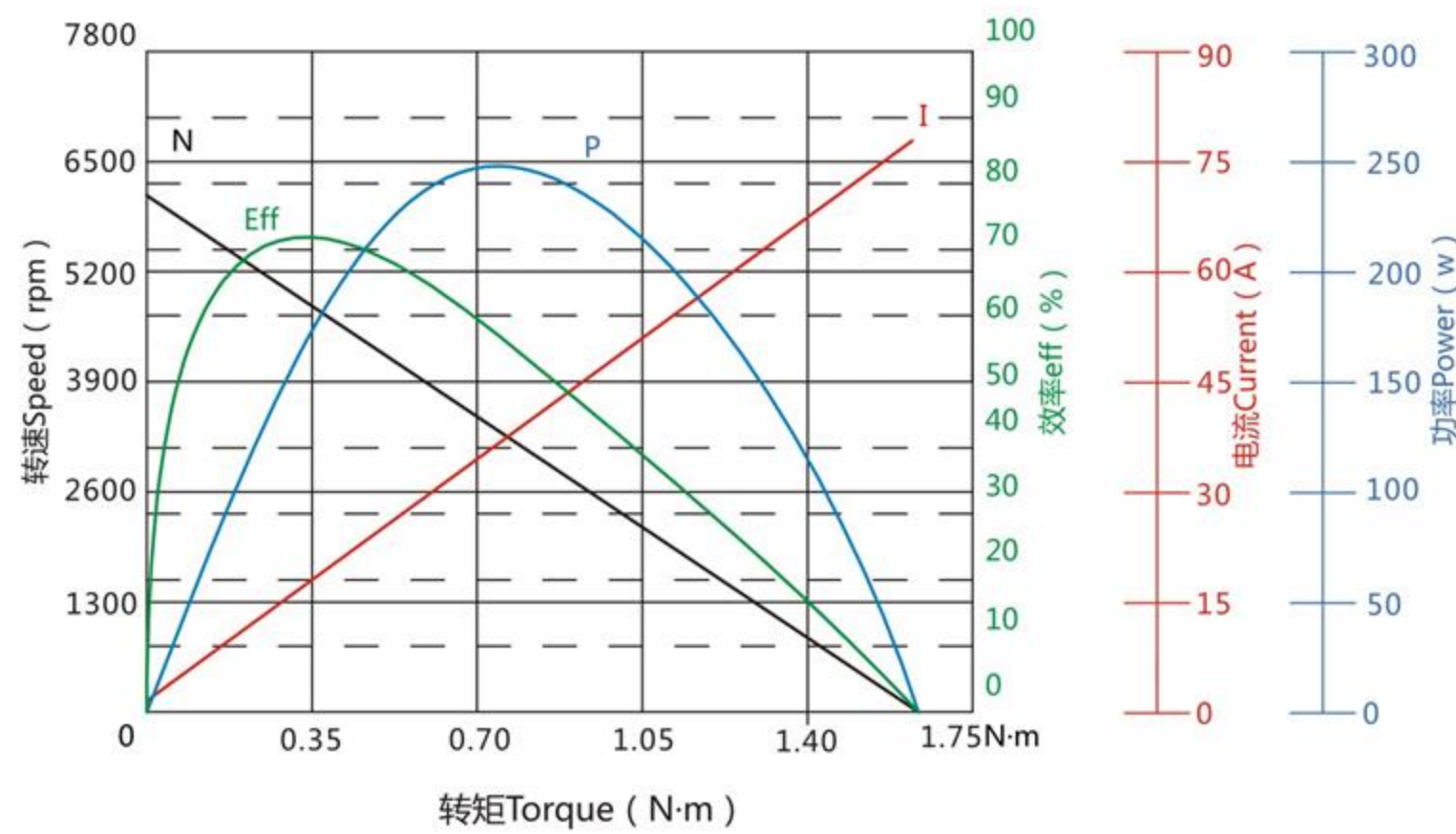


刹车泵系列电机UP30 Brake Pump Motor

外形尺寸 Appearance Shape and Size



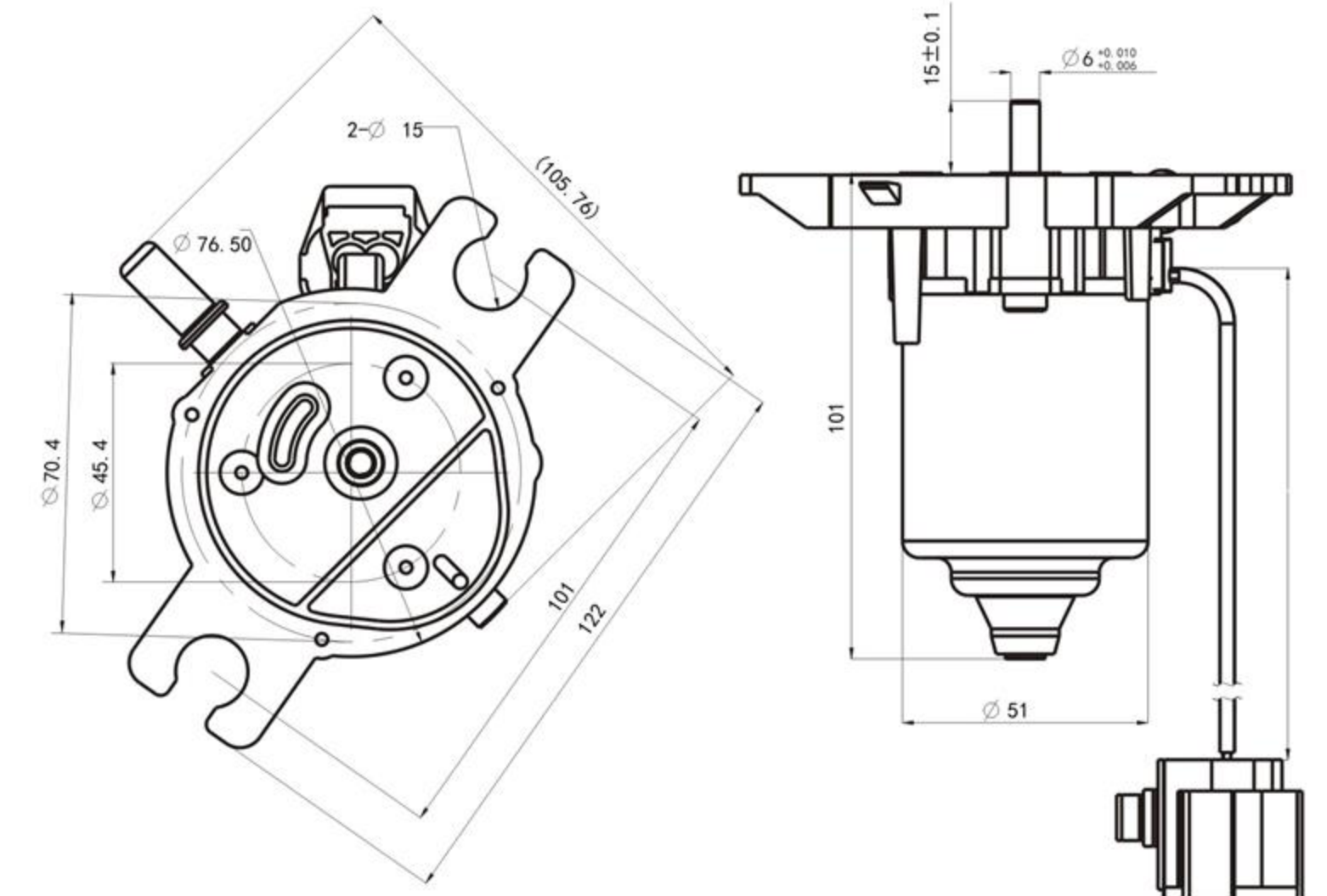
规格及技术参数 Specification and Parameter



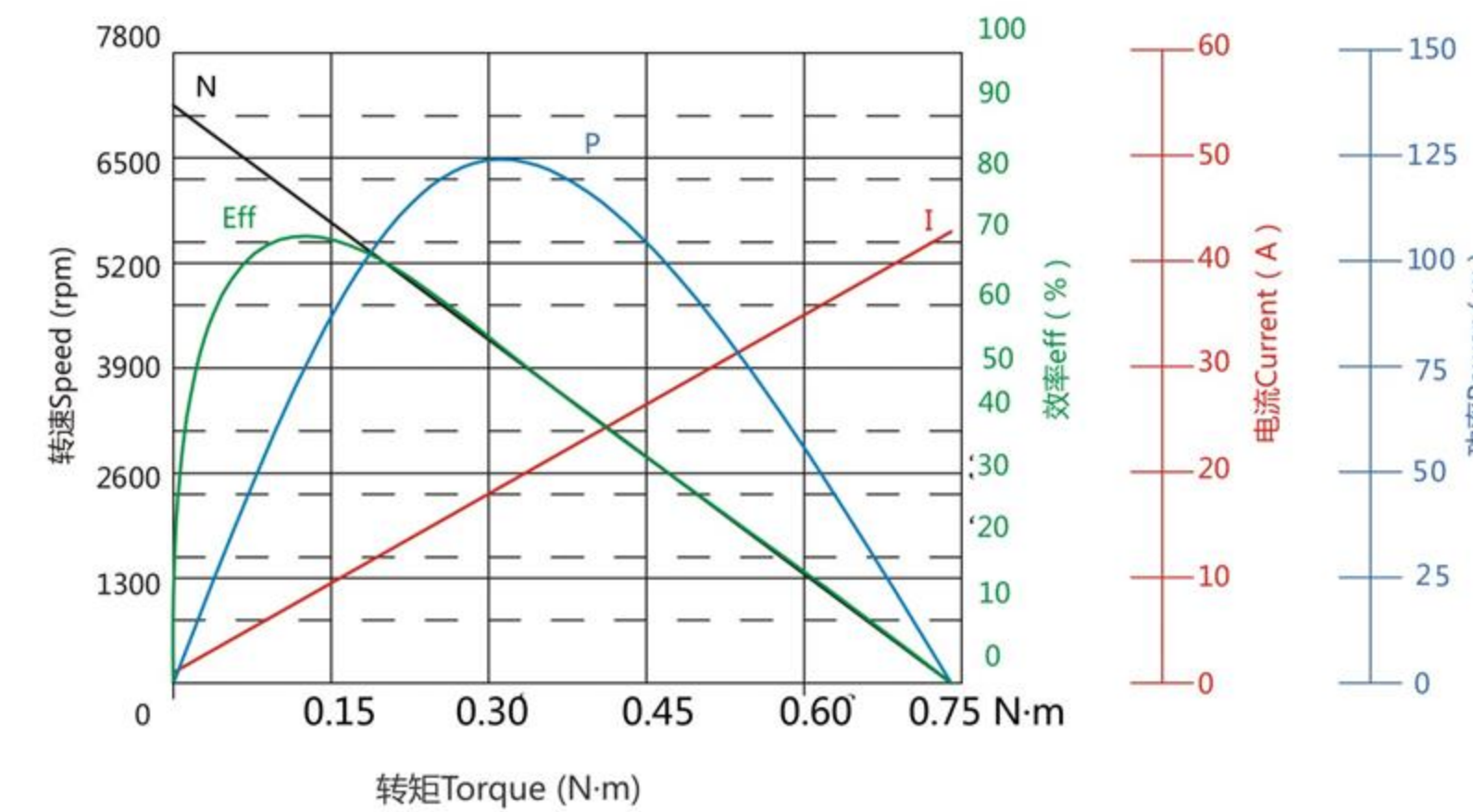
额定电压	Rated Voltage	12	V
测试电压	Rated Voltage	14	V
额定负载	Rated Torque	0.19	N-m
空载电流	No Load Current	<2.0	A
空载转速	No Load Speed	6000±600	rpm
额定电流	Rated Current	<15	A
额定转速	Rated Speed	5500±800	rpm
堵转电流	Stall Current	<95	A
堵转转矩	Stall Torque	<2.0	N-m
噪声	Noise	<50	dB
最大功率	Power	245	w

刹车泵系列电机UP28 Brake Pump Motor

外形尺寸 Appearance Shape and Size

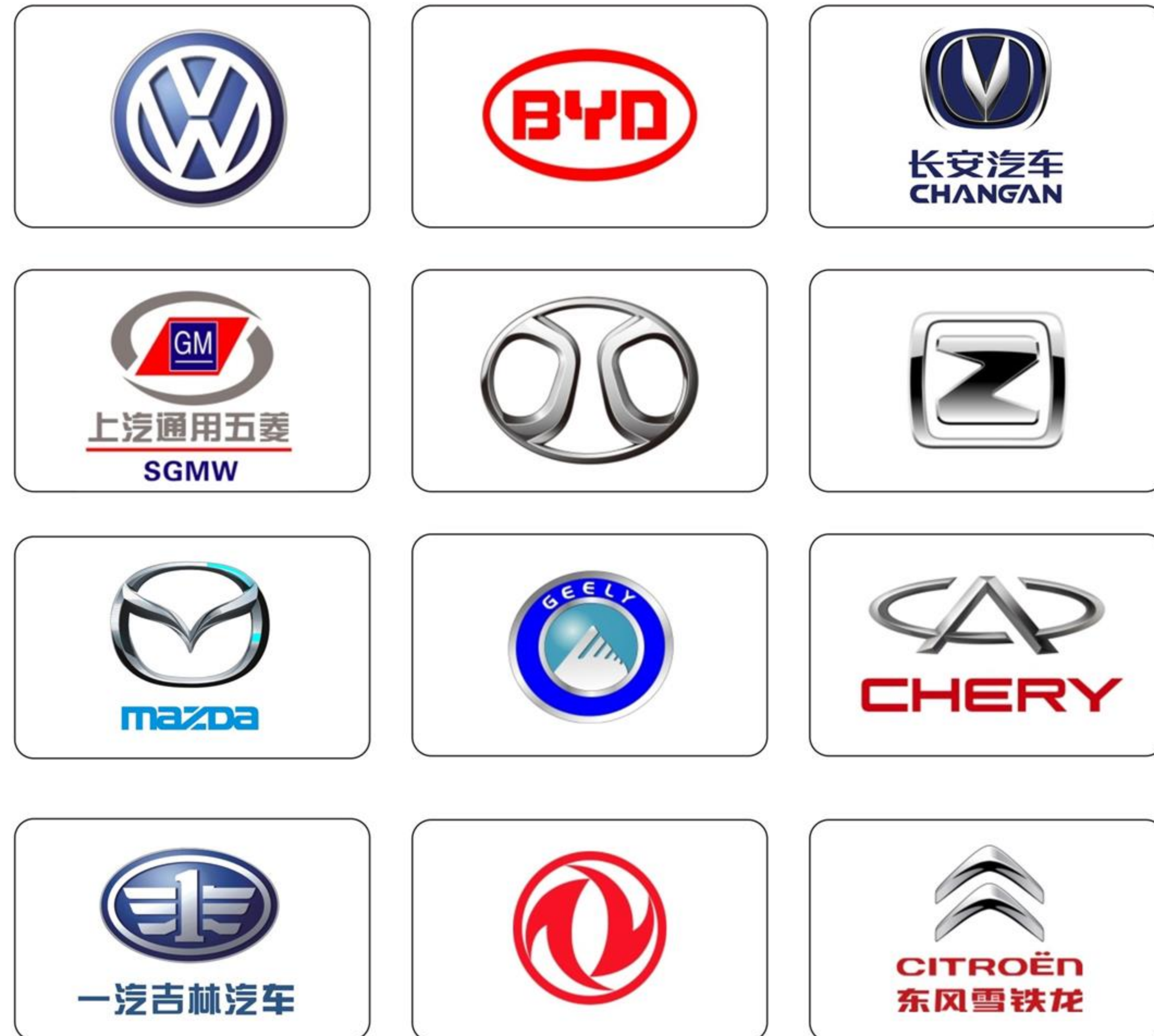


规格及技术参数 Specification and Parameter



额定电压	Rated Voltage	12	V
测试电压	Rated Voltage	13.5	V
额定负载	Rated Torque	0.12	N-m
空载电流	No Load Current	<2.0	A
空载转速	No Load Speed	6800±500	rpm
额定电流	Rated Current	<10	A
额定转速	Rated Speed	5800±800	rpm
堵转电流	Stall Current	<50	A
堵转转矩	Stall Torque	>0.50	N-m
噪声	Noise	<50	dB
最大功率	Power	125	w

公司部分客户
Part of the customer



我们本着精心为您服务宗旨，
以专业的制作精神和独特的设计理念，
以速度求质量，以专业求结果、
精心的去完成每一项工作
愿我们与时俱进，共创辉煌！

Ningbo hengte Automobile Parts Co.,Ltd
Look forward to working with you to create brilliant
We in line with the aim of carefully service for you,
in the production of professional spirit and unique design concept,
Results with speed for quality,professional,
Carefully to complete each task
The original we keep pace with The Times,create brilliant!